



FIRE RETARDANT



LIGHT WIGHT



EASY
INSTALATIONS



CORROSION
RESISTANT

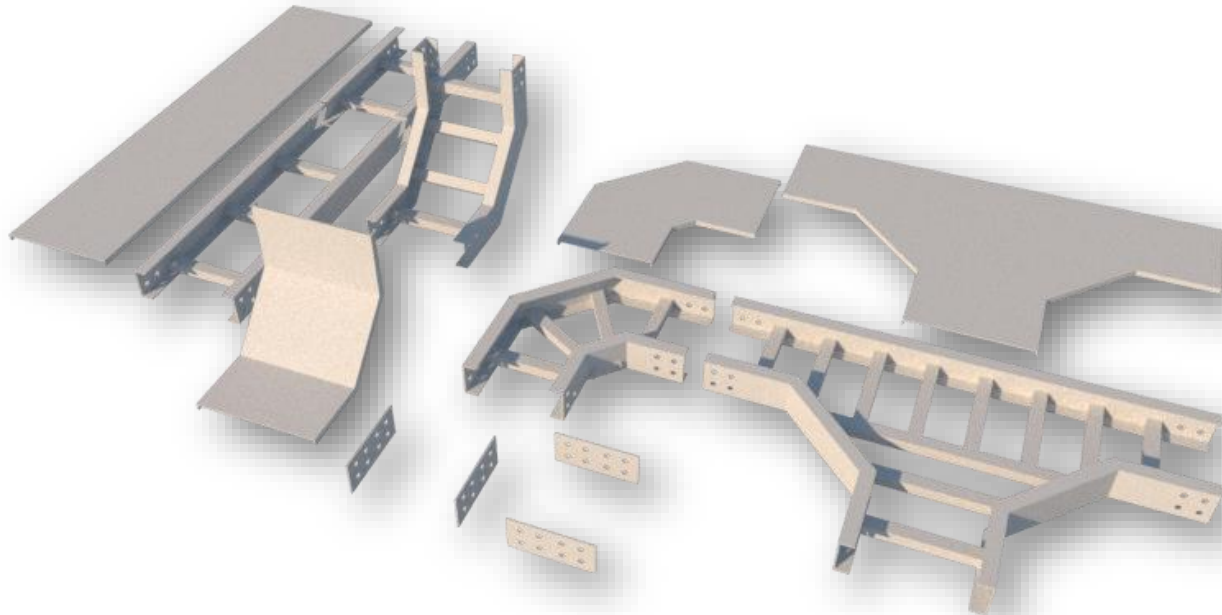


HIGH
STRENGTH



NON
CONDUCTIVE

FRP CABLE TRAY AND LADDER SYSTEM (FIBERGLASS REINFORCED PLASTIC)



FIBERCO

FIBERCO

PT. ECO MULTI SINERGI
ALDEOZ BUILDING LT. 6
Jl. Warung Jati barat No. 39 RT 10 RW 04
Kalibata, Pancoran, Jakarta Selatan 12740
Phone: 021 2753 4458 / Fax 021 2753 4459
www.ecosinergi.com

FRP CABLE TRAY & LADDER

Fiberglass Reinforced Plastic is produced from combination of fiberglass and resin.

FRP Cable Tray (kabel tray) dan FRP Cable Ladder (kabel ladder) dapat dijadikan pilihan untuk manajemen kabel di tempat Anda. Posisi peletakkannya sangat cocok di tempatkan di lokasi Outdoor maupun Indoor.

Kenapa FRP Cable Tray dan FRP Cable Ladder cocok diletakkan di outdoor? Karena dengan bahan dasar fiberglass ini maka produk ini memiliki kekuatan dalam menghadapi korosi dan berbagai macam cuaca...

Kami memproduksi Cetakan, Fitting, serta Cable Tray (Kabel Tray) dan Cable Ladder (kabel Ladder), dan banyak lagi produk yang lain.

Manfaat produk Fiberglass adalah adalah ketahan terhadap korosi, ringan, tahan lamanya, mudah pemasangan, hemat biaya, no konduktif, serta memiliki tingkat kekakuan yang tinggi.

Penggunaan produk ini biasa digunakan untuk daerah yang mudah terpapar korosi, seperti area lepas pantai, perusahaan chemical, serta pabrik pengolahan Gas.

FRP TECHNICAL DATA

Properties	Test Method	Unit	Value
Tensile Strength	ASTM D 638	Mpa	400-500
Tensile Modulus	ASTM D 638	Mpa	16,000-18,000
Flexural Strength	ASTM D 790	Mpa	400-450
Flexural Modulus	ASTM D 790	Mpa	16,000-19,000
Compressive Strength	ASTM D 495	Mpa	300-350
Izod Impact Notch	ASTM D 256	J/m	2,700-2,900
Hardness (minimum)	ASTM D 2583	Barcal	45
Specific Gravity	ASTM D 792	kg/dm ³	1.9-2.0
Water Absorption	ASTM D 570	%	0.8 (max)

FIRE RETARDANT PROPERTIES

Mechanical (coupon)	FR-P	FR-VE
Flame Resistance, ign/burn, seconds (FTMS 406-2023)	75/75	75/75
Intermittent Flame Test, rating (HLT-15)	100	100
Flammability Test	average time of burning 5 seconds, average extent of burning 15mm (ASTM D635)	
Surface Burning Characteristics, maximum (ASTM E84)	25	25

Thermal

Mechanical (coupon)	FR-P	FR-VE
Thermal Coefficient of Expansion		
Inches/Inch/°F (ASTM D696)**	5 x 10 ⁻⁶	5 x 10 ⁻⁶
Thermal Conductivity, BTU per Sq. Ft./Ht./°F/In. (ASTM C-177-76)	4	4
Specific Heat, BTU/Lb./°F	0.28	0.28

Thermal Contraction & Expansion

The table to the right compares the thermal contraction and expansion based on various temperature differentials for fiberglass, steel and aluminum cable trays.

The values shown represent the length of cable tray that will produce a 5/8" movement between expansion connectors for the indicated temperature differential. Fiberglass has the least movement. Enduro has expansion connectors to provide for total movement of 5/8".

Temp. Differential	Fiberglass		Steel		Aluminum	
	Ft.	(m)	Ft.	(m)	Ft.	(m)
25°F (14°C)	417	(126)	320	(97)	162	(49)
50°F (28°C)	208	(63)	160	(48)	81	(25)
75°F (42°C)	138	(42)	106	(32)	54	(16)
100°F (56°C)	104	(32)	80	(24)	40	(12)
125°F (69°C)	83	(25)	63	(19)	32	(10)
150°F (83°C)	69	(21)	53	(16)	26	(8)
175°F (97°C)	59	(17)	45	(13)	23	(6)

PT. ECO MULTI SINERGI
ALDEOZ BUILDING LT. 6

Jl. Warung Jati barat No. 39 RT 10 RW 04 Kalibata, Pancoran, Jakarta Selatan 12740

Phone: 021 2753 4458 / Fax 021 2753 4459



FIRE RETARDANT



LIGHT WIGHT



EASY
INSTALATIONS



CORROSION
RESISTANT



HIGH
STRENGTH



NON
CONDUCTIVE

FRP TECHNICAL DATA

Effect of Temperature - FRP/GRP

Strength properties of reinforced plastics are reduced when continuously exposed to elevated temperatures. Working loads shall be reduced when based on the table to the right. Percentages shown are approximate. If unusual temperature conditions exist, please contact us for consultation. Below freezing temperatures do not adversely affect the load rating capability of the tray. Fiberglass does not become brittle at below freezing temperatures. Careful review should be made of applications involving service temperatures over 200°F.

Temp.		Polyester Strength %	Vinyl Ester Strength%
75°F	(24°C)	100%	100%
100°F	(38°C)	90%	100%
125°F	(52°C)	78%	100%
150°F	(66°C)	68%	90%
175°F	(79°C)	60%	90%
200°F	(93°C)	52%	75%

The test values in the chart below were obtained from tests conducted by Enduro's vinyl ester resin supplier. The values shown, although obtained from an actual coupon test, are intended for illustrative purposes only, and not for use in design calculations. The values for polyester are slightly lower.

Test Temp. °F (°C)	-100° (-73°)	-50° (-46°)	0° (-18°)	50° (10°)	77° (25°)	100° (38°)	150° (66°)	200° (93°)	250° (121°)	300° (149°)
Flex. St., PSI, ASTM D790	101,500	86,400	79,500	72,300	68,100	66,300	58,700	27,400	13,200	9,200
Flex. Mod., PSI x 10 ⁶ , ASTM D790	3.36	3.32	3.42	3.38	3.24	3.29	3.07	1.98	0.98	0.83
Tensile St., PSI, ASTM D638	84,100	70,400	63,900	58,000	56,100	54,600	49,900	41,800	29,600	22,000

PT. ECO MULTI SINERGI
ALDEOZ BUILDING LT. 6

Jl. Warung Jati barat No. 39 RT 10 RW 04 Kalibata, Pancoran, Jakarta Selatan 12740

Phone: 021 2753 4458 / Fax 021 2753 4459



FIRE RETARDANT



LIGHT WIGHT



EASY
INSTALATIONS



CORROSION
RESISTANT



HIGH
STRENGTH



NON
CONDUCTIVE

Corrosion Resistance of Resin Systems

Chemicals	75°F (24°C)	160°F (71°C)	Chemicals	75°F (24°C)	160°F (71°C)
Acetic Acid 5%	FR-P	FR-P	Magnesium Chloride	FR-P	FR-P
Acetic Acid 25%	FR-P	FR-VE-210° (*)	Methyl Alcohol 10%	FR-P	FR-VE-150° (*)
Aluminum Potassium Sulfate 5%	FR-P	FR-P	Naphtha	FR-P	FR-P
Ammonium Hydroxide 10%	FR-P	FR-VE-150°	Nitric Acid 5%	FR-P	FR-P
Ammonium Nitrate	FR-P	FR-P	Nitric Acid 20%	FR-VE	FR-VE-120° (*)
Benzenesulfonic Acid 5%	FR-P	FR-P	Phosphoric Acid 10%	FR-P	FR-P
Calcium Chloride Carbon Tetrachloride	FR-P FR-VE	FR-P FR-VE-100° (*)	Phosphoric Acid 30% Phosphoric Acid 85%	FR-PFR-P	FR-PFR-P
Chlorine Dioxide 15%	FR-P	FR-VE-150° (*)	Sodium Bicarbonate 10%	FR-P	FR-P
Chromic Acid 5%	FR-P	FR-VE-150° (*call)	Sodium Bisulfate	FR-P	FR-P
Copper Sulfate	FR-P	FR-P	Sodium Carbonate	FR-P	FR-VE
Diesel Fuel No. 1	FR-P	FR-P	Sodium Chloride	FR-P	FR-P
Diesel Fuel No. 2 Ethylene Glycol Fatty Acids 100% Ferrous Sulfate Fluosilicic Acid 0-20%	FR-P FR-P FR-P FR-P FR-VE	FR-PFR-PFR-PFR-P FR-VE (call)	Sodium Hydroxide 1-50% Sodium Hypochlorite 5% Sodium Nitrate Sodium Silicate Sodium Sulfate	FR-VEFR-P FR-P FR-P FR-P	FR-VE-120° (*) FR-VE-120° (*)FR-P FR-VE-210° (*) FR-P
Hydrochloric Acid 1%	FR-P	FR-P	Sulfuric Acid 0-30%	FR-P	FR-P
Hydrochloric Acid 15%	FR-P	FR-VE-180° (*)	Sulfuric Acid 30-50%	FR-VE	FR-VE
Hydrochloric Acid 37%	FR-P	FR-VE-150° (*)	Sulfuric Acid 50-70%	FR-VE	FR-VE-180° (*)
Hydrogen Sulfide	FR-P-140°	FR-VE-210°	Trisodium Phosphate 25%	FR-P	FR-VE-210° (*)
Kerosene	FR-P	FR-P	Trisodium Phosphate - All Water, Distilled	FR-VEFR-P	FR-VE-210° (*)FR-P

PT. ECO MULTI SINERGI
ALDEOZ BUILDING LT. 6

Jl. Warung Jati barat No. 39 RT 10 RW 04 Kalibata, Pancoran, Jakarta Selatan 12740

Phone: 021 2753 4458 / Fax 021 2753 4459



FIRE RETARDANT



LIGHT WIGHT



EASY
INSTALATIONS



CORROSION
RESISTANT

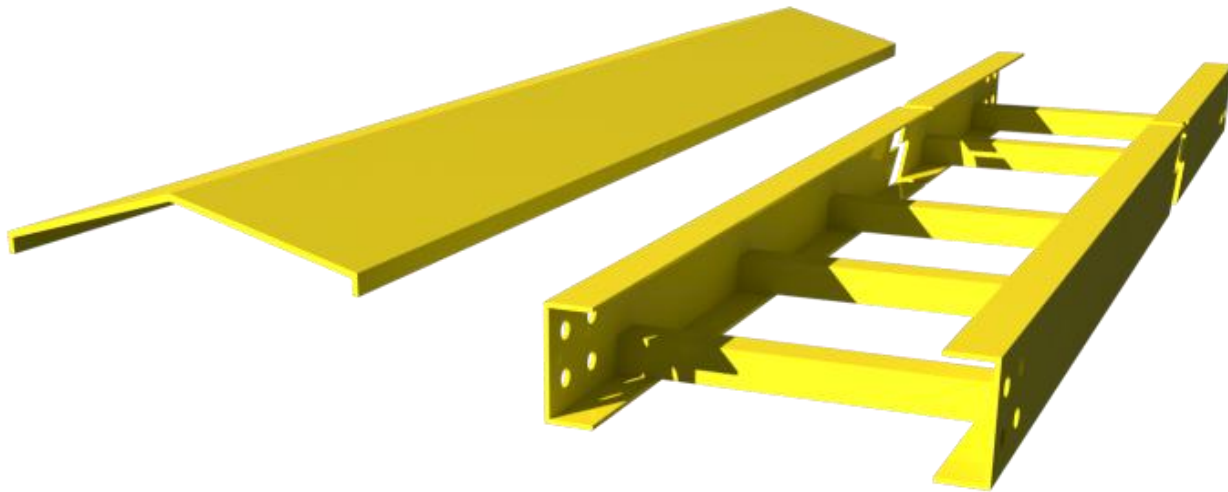


HIGH
STRENGTH



NON
CONDUCTIVE

FRP Straight Cable Ladder



- Bahan resin pultruded standar adalah ISO. Jenis sistem resin lainnya dibuat sesuai pesanan.
- Moulded & Fitting adalah untuk Cable Ladder yang tersedia berdasarkan permintaan.
- Cover dan cetakan untuk Cable ladder tersedia berdasarkan permintaan.
- Gambar yang ditampilkan hanya untuk referensi..

Standard Size (W)	Standard Hight (H)	Standard Length (L)	Color
W100-W1200	H50-H200	L3000	Yellow & Light Grey



FIRE RETARDANT



LIGHT WIGHT



EASY
INSTALATIONS



CORROSION
RESISTANT



HIGH
STRENGTH



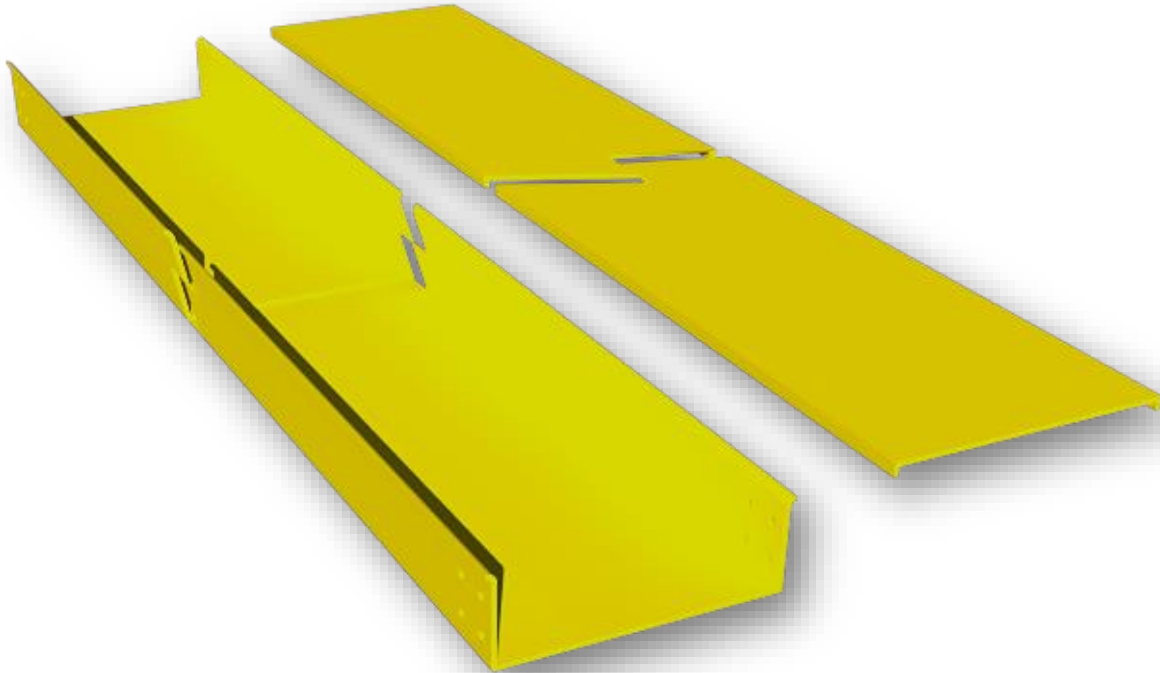
NON
CONDUCTIVE



PT. ECO MULTI SINERGI
ALDEOZ BUILDING LT. 6

Jl. Warung Jati barat No. 39 RT 10 RW 04 Kalibata, Pancoran, Jakarta Selatan 12740
Phone: 021 2753 4458 / Fax 021 2753 4459

FRP Cable Tray



- Bahan resin pultruded standar adalah ISO. Jenis sistem resin lainnya dibuat sesuai pesanan.
- Moulded & Fitting adalah untuk Cable Tray yang tersedia berdasarkan permintaan.
- Cover dan cetakan untuk Cable Tray tersedia berdasarkan permintaan.
- Gambar yang ditampilkan hanya untuk referensi..

Standard Size (W)	Standard Hight (H)	Standard Length (L)	Color
W100-W1200	H50-H200	L3000	Yellow & Light Grey



FIRE RETARDANT



LIGHT WIGHT



EASY
INSTALATIONS



CORROSION
RESISTANT



HIGH
STRENGTH



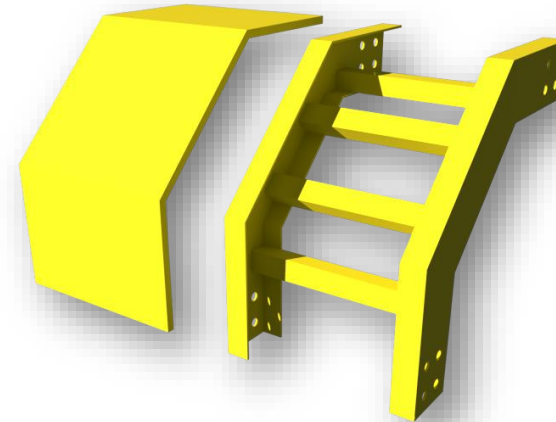
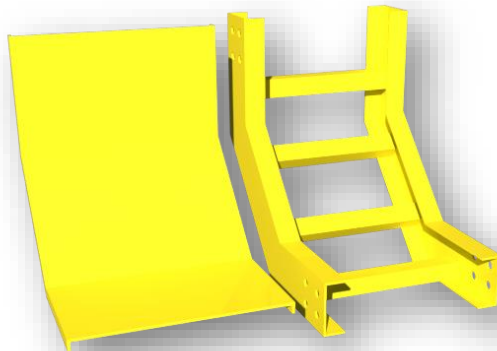
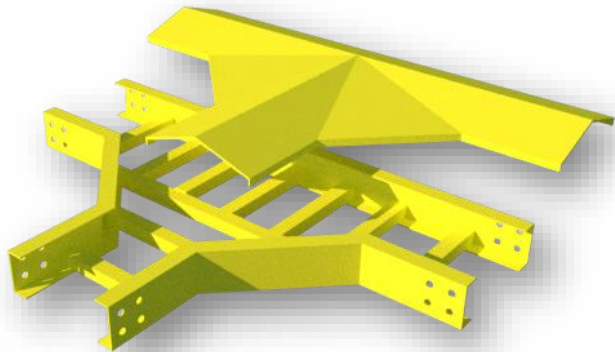
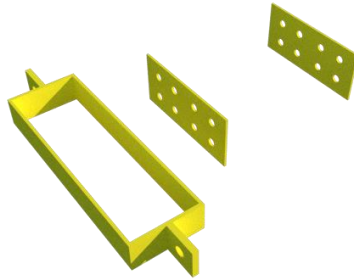
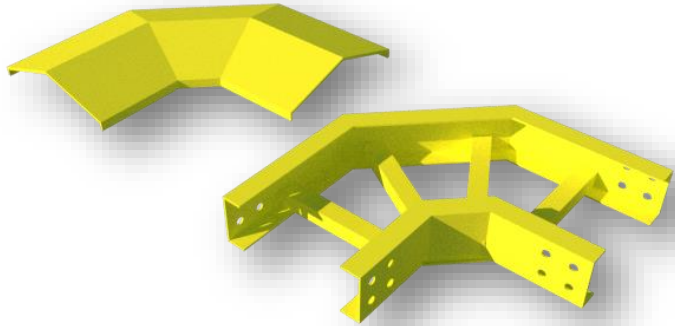
NON
CONDUCTIVE



PT. ECO MULTI SINERGI
ALDEOZ BUILDING LT. 6

Jl. Warung Jati barat No. 39 RT 10 RW 04 Kalibata, Pancoran, Jakarta Selatan 12740
Phone: 021 2753 4458 / Fax 021 2753 4459

Fitting Straight Cable Ladder



- Bahan resin pultruded standar adalah ISO. Jenis sistem resin lainnya dibuat sesuai pesanan.
- Moulded & Fitting Cable Ladder yang tersedia berdasarkan permintaan.
- Cover dan cetakan untuk Fitting ladder tersedia berdasarkan permintaan.
- Gambar yang ditampilkan hanya untuk referensi..



PT. ECO MULTI SINERGI
ALDEOZ BUILDING LT. 6

Jl. Warung Jati barat No. 39 RT 10 RW 04 Kalibata, Pancoran, Jakarta Selatan 12740
Phone: 021 2753 4458 / Fax 021 2753 4459



FIRE RETARDANT



LIGHT WIGHT



EASY
INSTALATIONS



CORROSION
RESISTANT



HIGH
STRENGTH



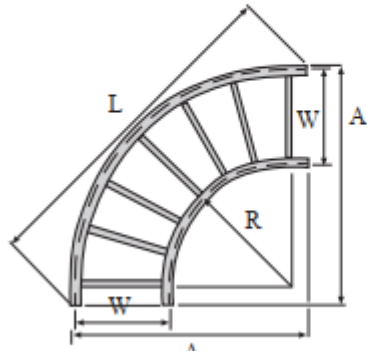
NON
CONDUCTIVE

Moulded Fittings-Ladder Cable Tray

90° Horizontal Bend

Part No. Key*

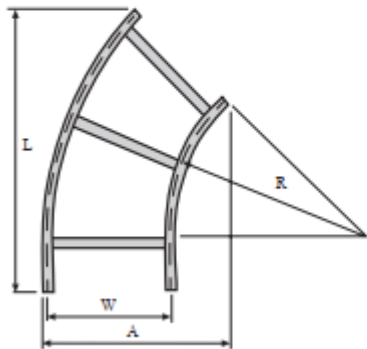
EHB-(Δ)(H)-90-(W)-(R)



45° Horizontal Bend

Part No. Key*

EHB-(Δ)(H)-45-(W)-(R)



Dimension Inches (mm)

Width	12" (305) Radius		24" (610) Radius		36" (914) Radius	
	A	L	A	L	A	L
6 (152)	22 ¹ / ₁₆ (578)	32 ¹ / ₁₆ (818)	34 ³ / ₁₆ *** (882)	49 ¹ / ₁₆ (1248)	46 ¹ / ₁₆ (1187)	66 ¹ / ₁₆ (1680)
9 (229)	25 ¹ / ₁₆ (654)	36 ¹ / ₁₆ (926)	37 ¹ / ₁₆ (959)	53 ¹ / ₁₆ (1356)	49 ¹ / ₁₆ (1264)	70 ¹ / ₁₆ (1787)
12 (305)	28 ¹ / ₁₆ (405)	40 ¹ / ₁₆ (1033)	40 ¹ / ₁₆ ** (1035)	57 ¹ / ₁₆ (1464)	52 ¹ / ₁₆ (1340)	74 ¹ / ₁₆ (1895)
18 (457)	34 ¹ / ₁₆ (883)	49 ¹ / ₁₆ (1248)	46 ¹ / ₁₆ ** (1187)	66 ¹ / ₁₆ (1680)	58 ¹ / ₁₆ (1492)	83 ¹ / ₁₆ (2111)
24 (610)	40 ¹ / ₁₆ (1035)	57 ¹ / ₁₆ (1464)	52 ¹ / ₁₆ ** (1340)	74 ¹ / ₁₆ (1895)	64 ¹ / ₁₆ (1645)	91 ¹ / ₁₆ (2324)
30 (762)	46 ¹ / ₁₆ (1187)	66 ¹ / ₁₆ (1680)	58 ¹ / ₁₆ † (1492)	83 ¹ / ₁₆ (2111)	NA	NA
36 (914)	52 ¹ / ₁₆ (1340)	74 ¹ / ₁₆ (1895)	64 ¹ / ₁₆ † (1645)	91 ¹ / ₁₆ (2324)	NA	NA

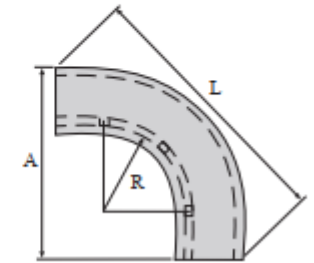
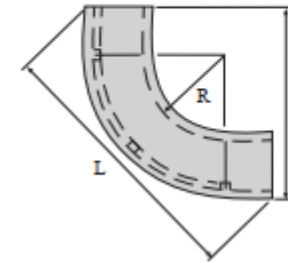
90° Vertical Bend

Part No. Key*

INSIDE: EIV-(Δ)(H)-90-(W)-(R)

Part No. Key*

OUTSIDE: EOY-(Δ)(H)-90-(W)-(R)



Channel Depth Inches (mm)

Radius	4" Tray		6" Tray		8" Tray	
	A	L	A	L	A	L
12 (305)	NA	NA	22 ¹ / ₁₆ (578)	32 ¹ / ₁₆ (818)	NA	NA
24 (610)	32 ¹ / ₁₆ (833)	46 ¹ / ₁₆ (1178)	34 ¹ / ₁₆ (883)	49 ¹ / ₁₆ (1356)	36 ¹ / ₁₆ (932)	51 ¹ / ₁₆ (1318)
36 (914)	NA	NA	46 ¹ / ₁₆ (1187)	66 ¹ / ₁₆ (1680)	NA	NA

Dimension Inches (mm)

Width	12" (305) Radius		24" (610) Radius		36" (914) Radius	
	A	L	A	L	A	L
6 (152)	9 ¹ / ₁₆ (227)	17 ¹ / ₁₆ (441)	13 ¹ / ₁₆ *** (341)	25 ¹ / ₁₆ (657)	17 (432)	34 ¹ / ₁₆ (873)
9 (229)	12 ¹ / ₁₆ (329)	19 ¹ / ₁₆ (495)	16 ¹ / ₁₆ (418)	28 (711)	20 (508)	36 ¹ / ₁₆ (927)
12 (305)	15 ¹ / ₁₆ (405)	21 ¹ / ₁₆ (549)	19 ¹ / ₁₆ ** (494)	30 ¹ / ₁₆ (765)	23 (584)	38 ¹ / ₁₆ (981)
18 (457)	21 ¹ / ₁₆ (557)	25 ¹ / ₁₆ (657)	25 ¹ / ₁₆ ** (646)	34 ¹ / ₁₆ (873)	29 (737)	42 ¹ / ₁₆ (1089)
24 (610)	27 ¹ / ₁₆ (710)	30 ¹ / ₁₆ (765)	31 ¹ / ₁₆ ** (798)	38 ¹ / ₁₆ (981)	35 (889)	47 ¹ / ₁₆ (1197)
30 (762)	33 ¹ / ₁₆ (862)	34 ¹ / ₁₆ (873)	37 ¹ / ₁₆ † (951)	42 ¹ / ₁₆ (1089)	NA	NA
36 (914)	39 ¹ / ₁₆ (1014)	38 ¹ / ₁₆ (981)	43 ¹ / ₁₆ † (1103)	47 ¹ / ₁₆ (1197)	NA	NA



PT. ECO MULTI SINERGI
ALDEOZ BUILDING LT. 6

Jl. Warung Jati barat No. 39 RT 10 RW 04 Kalibata, Pancoran, Jakarta Selatan 12740

Phone: 021 2753 4458 / Fax 021 2753 4459



FIRE RETARDANT



LIGHT WIGHT



EASY
INSTALATIONS



CORROSION
RESISTANT



HIGH
STRENGTH



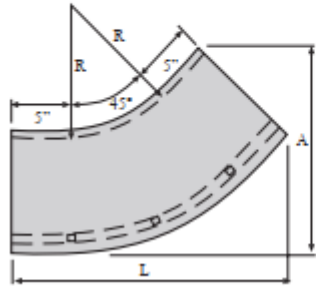
NON
CONDUCTIVE

Moulded Fittings-Ladder Cable Tray

45° Vertical Bend

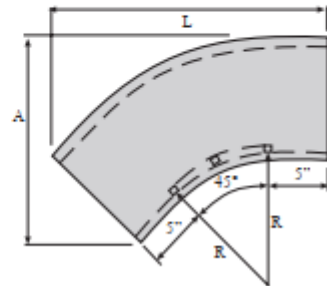
Part No. Key*

INSIDE: EIV-(Δ)(H)-45-(W)-(R)



Part No. Key*

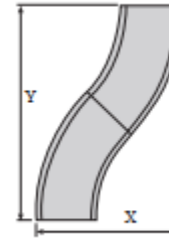
OUTSIDE: EOY-(Δ)(H)-45-(W)-(R)



Channel Depth Inches (mm)

Radius	4" Tray		6" Tray		8" Tray	
	A	L	A	L	A	L
12 (305)	NA	NA	13 (330)	21 ¹ / ₁₆ (535)	NA	NA
24 (610)	NA	NA	16 ¹ / ₂ (419)	29 ¹ / ₁₆ (751)	18 ¹ / ₂ (470)	30 ¹ / ₁₆ (786)
36 (914)	NA	NA	NA	NA	NA	NA

Joining 45° Horizontal Bends

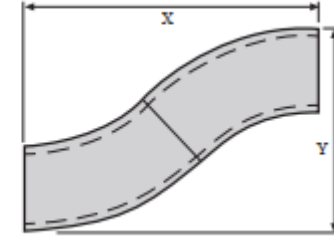


$$X = 2A - .707 (W + .5)$$

$$Y = 2L - .707 (W + .5)$$

Contact us for assembly method.

Joining 45° Vertical Bends



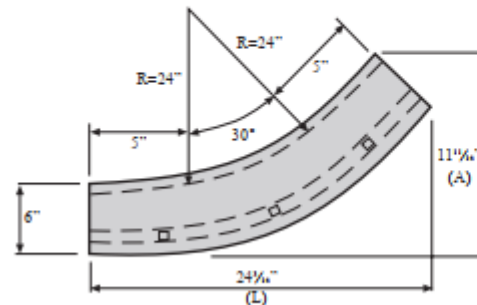
6" Side Rail
 $X = 2L - 4.24"$
 $Y = 2A - 4.24"$

8" Side Rail
 $X = 2L - 5.66"$
 $Y = 2A - 5.66"$

30° Vertical Bend

Part No. Key*

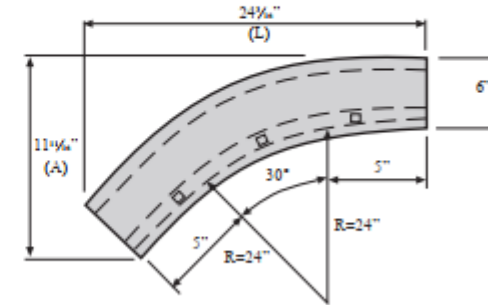
INSIDE: EIV-(Δ)6-30-(W)-24



Available in 6" and 24" radius depth channel.

Part No. Key*

OUTSIDE: EOY-(Δ)6-30-(W)-24



PT. ECO MULTI SINERGI
 ALDEOZ BUILDING LT. 6

Jl. Warung Jati barat No. 39 RT 10 RW 04 Kalibata, Pancoran, Jakarta Selatan 12740

Phone: 021 2753 4458 / Fax 021 2753 4459



FIRE RETARDANT



LIGHT WIGHT



EASY
 INSTALATIONS



CORROSION
 RESISTANT



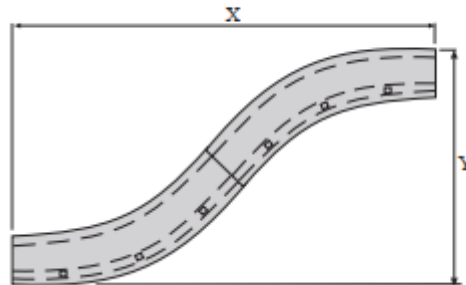
HIGH
 STRENGTH



NON
 CONDUCTIVE

Moulded Fittings-Ladder Cable Tray

Joining 30° Vertical Bends



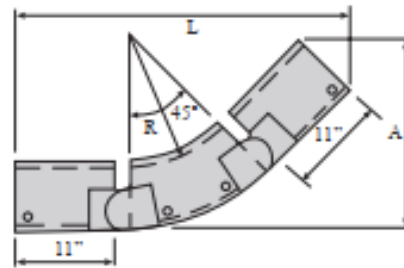
$$X = 2L - 3''$$

$$Y = 2A - 5.20''$$

Vertical Adjustable Bend

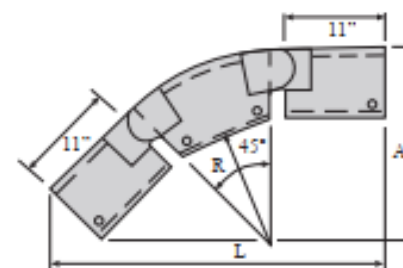
Part No. Key*

INSIDE: EIVA-(Δ)(H)-45-(W)-(R)



Part No. Key*

OUTSIDE: EOVA-(Δ)(H)-45-(W)-(R)



Dimensions Inches (mm)

Radius	A	L
12 (305)	18 (457)	35 (889)
24 (610)	21 (533)	43 (1092)
36 (914)	25 (635)	52 (1321)

Dimensions apply at 45° setting.
For travel dimensions, contact us.

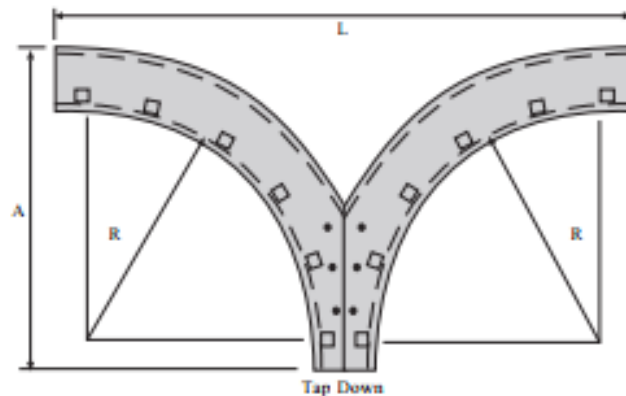
90° Vertical Tee

Part No. Key*

Up: EVT-(Δ)(H)-90-(W)-(R)-Up

Down: EVT-(Δ)(H)-90-(W)-(R)-Down

Tap up and tap down have the same dimensions. Please specify tap direction (up or down).



Dimensions Inches (mm)

Radius	A	L
12 (305)	22¼ (578)	39½ (1003)
24 (610)	34¼** (833)	63½ (1613)
36 (914)	46¼ (1187)	87½ (2223)



PT. ECO MULTI SINERGI
ALDEOZ BUILDING LT. 6

Jl. Warung Jati barat No. 39 RT 10 RW 04 Kalibata, Pancoran, Jakarta Selatan 12740

Phone: 021 2753 4458 / Fax 021 2753 4459



FIRE RETARDANT



LIGHT WIGHT



EASY
INSTALATIONS



CORROSION
RESISTANT



HIGH
STRENGTH



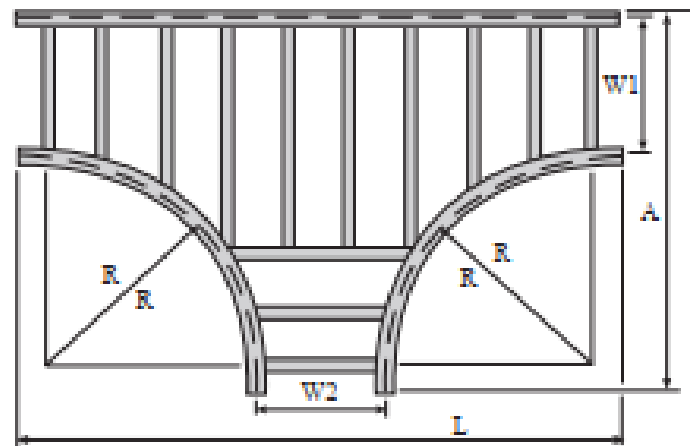
NON
CONDUCTIVE

Moulded Fittings-Ladder Cable Tray

Horizontal Tee

Part No. Key*

EHT-(Δ)(H)-(W1)-(W2)-(R)



Contact us for dimensions on reducing tee.

Dimension Inches (mm)

Width	12" (305) Radius		24" (610) Radius [±]		36" (914) Radius	
	A	L	A	L	A	L
6 (152)	22¼ (578)	39 (991)	34¼ (883)	63 (1600)	46¼ (1187)	87 (2210)
9 (229)	25¼ (654)	42 (1067)	37¼ (959)	66 (1676)	49¼ (1264)	90 (2286)
12 (305)	28¼ (730)	45 (1143)	40¼ (1035)	69 (1753)	52¼ (1340)	93 (2362)
18 (457)	34¼ (883)	51 (1295)	46¼ (1187)	75 (1905)	58¼ (1492)	99 (2515)
24 (610)	40¼ (1035)	57 (1448)	52¼ (1340)	81 (2057)	64¼ (1645)	105 (2667)
30 (762)	46¼ (1187)	63 (1600)	58¼ (1492)	87 (2210)	70¼ (1797)	111 (2819)
36 (914)	52¼ (1340)	69 (1753)	64¼ (1645)	93 (2362)	76¼ (1949)	117 (2972)



PT. ECO MULTI SINERGI
ALDEOZ BUILDING LT. 6

Jl. Warung Jati barat No. 39 RT 10 RW 04 Kalibata, Pancoran, Jakarta Selatan 12740

Phone: 021 2753 4458 / Fax 021 2753 4459



FIRE RETARDANT



LIGHT WIGHT



EASY
INSTALATIONS



CORROSION
RESISTANT



HIGH
STRENGTH



NON
CONDUCTIVE

Moulded Fittings-Ladder Cable Tray

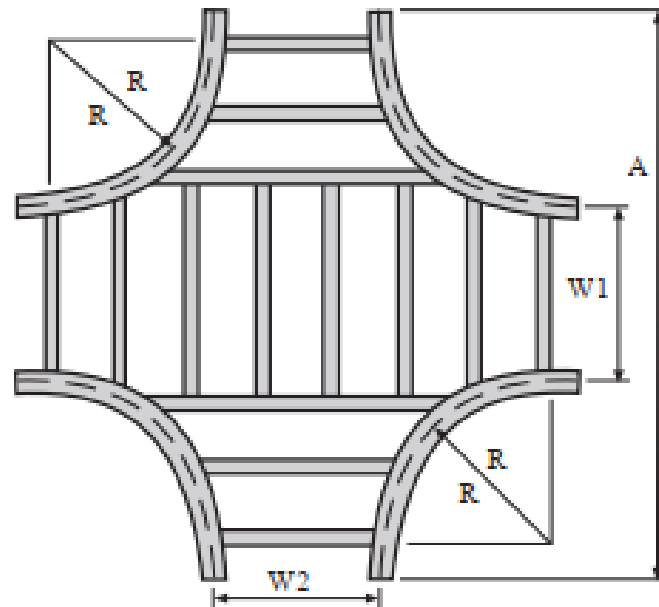
Horizontal Cross

Part No. Key*

EHC-(Δ)(H)-(W1)-(W2)-(R)

Contact us for dimensions on reducing cross.

Due to overall size of the 24" wide thru 36" wide, 36" radius cross assemblies are unable to be shipped via regular motor freight lines.



Dimension Inches (mm)

	12" Radius	24" Radius	36" Radius
Width	A	A**	A
6 (152)	39 (991)	63 (1600)	87 (2210)
9 (229)	42 (1067)	66 (1676)	90 (2286)
12 (305)	45 (1143)	69 (1753)	93 (2362)
18 (457)	51 (1295)	75 (1905)	99 (2515)
24 (610)	57 (1448)	81 (2057)	105 (2667)
30 (762)	63 (1600)	87 (2210)	111 (2819)
36 (914)	69 (1753)	93 (2362)	117 (2972)



PT. ECO MULTI SINERGI
ALDEOZ BUILDING LT. 6

Jl. Warung Jati barat No. 39 RT 10 RW 04 Kalibata, Pancoran, Jakarta Selatan 12740

Phone: 021 2753 4458 / Fax 021 2753 4459



FIRE RETARDANT



LIGHT WIGHT



EASY
INSTALLATIONS



CORROSION
RESISTANT



HIGH
STRENGTH



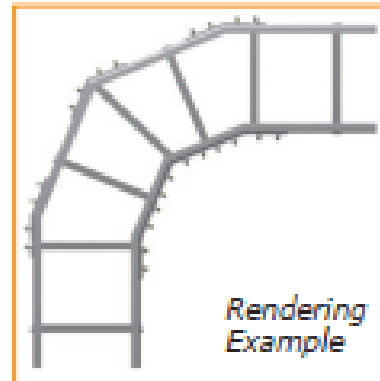
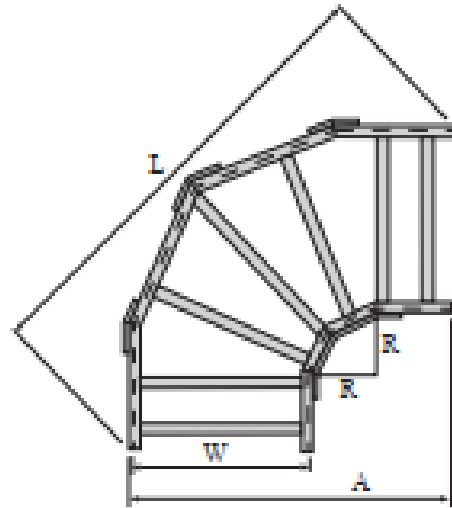
NON
CONDUCTIVE

Mitered Fittings-Ladder Cable Tray

90° Horizontal Bend

Part No. Key*

EHB-(Δ)(H)-90-(W)-(R)



Dimension Inches (mm)

Width	12" (305) Radius		24" (610) Radius		36" (914) Radius	
	A	L	A	L	A	L
6 (152)	33½ (854)	47½ (1207)	45½ (1159)	64½ (1638)	57½ (1464)	81½ (2070)
9 (229)	36½ (930)	51½ (1314)	48½ (1235)	68½ (1746)	60½ (1540)	85½ (2178)
12 (305)	39½ (1006)	56 (1422)	51½ (1311)	73 (1854)	63½ (1616)	90 (2286)
18 (457)	45½ (1159)	64½ (1638)	57½ (1464)	81½ (2070)	69½ (1768)	98½ (2502)
24 (610)	51½ (1311)	73 (1854)	63½ (1616)	90 (2286)	75½ (1921)	107 (2718)
30 (762)	57½ (1464)	81½ (2070)	69½ (1768)	98½ (2502)	81½ (2073)	115½ (2931)
36 (914)	63½ (1616)	90 (2286)	75½ (1921)	107 (2718)	87½ (2226)	123½ (3146)



PT. ECO MULTI SINERGI
ALDEOZ BUILDING LT. 6

Jl. Warung Jati barat No. 39 RT 10 RW 04 Kalibata, Pancoran, Jakarta Selatan 12740

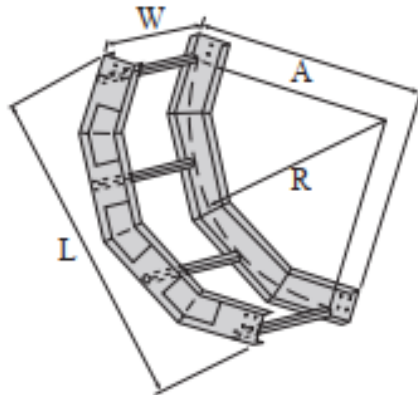
Phone: 021 2753 4458 / Fax 021 2753 4459



Mitered Fittings-Ladder Cable Tray

90° Vertical Inside Bend

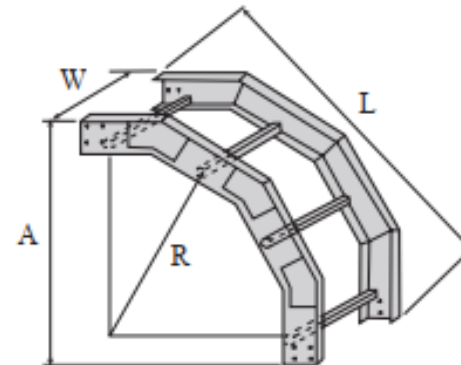
Part No. Key*
EIV-(Δ)(H)-90-(W)-(R)



Dim. Inches (mm)	12" Radius			24" Radius			36" Radius		
	Depth**			Depth**			Depth**		
	4"	6"	8"	4"	6"	8"	4"	6"	8"
A	20 3/4 (530)	20 3/4 (530)	20 3/4 (530)	32 1/4 (835)	32 1/4 (835)	32 1/4 (835)	44 1/4 (1133)	44 1/4 (1133)	44 1/4 (1133)
L	29 1/2 (749)	29 1/2 (749)	29 1/2 (749)	46 1/2 (1181)	46 1/2 (1181)	46 1/2 (1181)	63 1/4 (1608)	63 1/4 (1608)	63 1/4 (1608)

90° Vertical Outside Bend

Part No. Key*
EOV-(Δ)(H)-90-(W)-(R)



Dim. Inches (mm)	12" Radius			24" Radius			36" Radius		
	Depth**			Depth**			Depth**		
	4"	6"	8"	4"	6"	8"	4"	6"	8"
A	19 1/4 (505)	21 1/4 (555)	23 1/4 (606)	31 1/4 (810)	33 1/4 (860)	35 1/4 (911)	43 1/4 (1114)	45 1/4 (1165)	47 1/4 (1216)
L	28 1/4 (714)	30 1/4 (786)	33 1/4 (857)	45 1/4 (1145)	47 1/4 (1218)	50 1/4 (1289)	62 1/4 (1576)	64 1/4 (1648)	67 1/4 (1721)



PT. ECO MULTI SINERGI
ALDEOZ BUILDING LT. 6

Jl. Warung Jati barat No. 39 RT 10 RW 04 Kalibata, Pancoran, Jakarta Selatan 12740

Phone: 021 2753 4458 / Fax 021 2753 4459



FIRE RETARDANT



LIGHT WIGHT



EASY
INSTALATIONS



CORROSION
RESISTANT



HIGH
STRENGTH

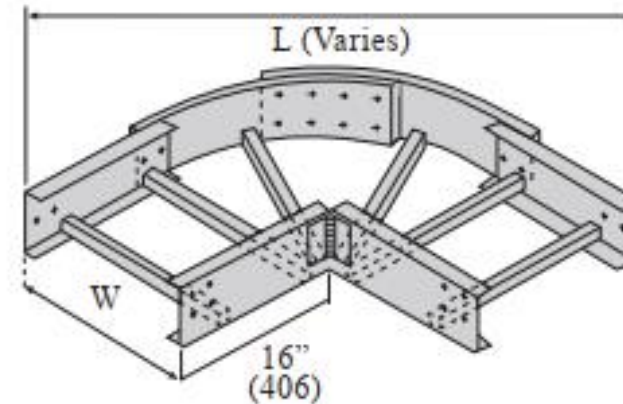


NON
CONDUCTIVE

Mitered Fittings-Ladder Cable Tray

Horizontal Adjustable Bend 45°-135°

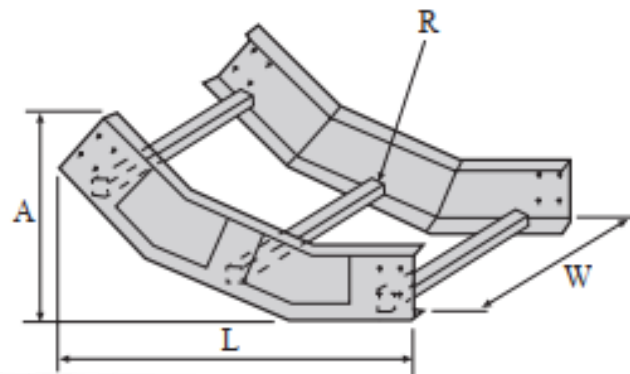
Part No. Key*
EHAB-(Δ)(H)-(W)



30°/45° Vertical Inside Bend

Part No. Key*
EIV-(Δ)(H)-30 or 45-(W)-(R)

All dimensions are to the nearest 1/4"



Dim. Inches (mm)	12" Radius				24" Radius				36" Radius				
	Depth				Depth				Depth				
	3"	4"	6"	8"	3"	4"	6"	8"	3"	4"	6"	8"	
30°	A	8 (203)	9 (229)	10 (254)	12 (305)	9 (229)	10 (254)	12 (305)	14 (356)	11 (279)	12 (305)	14 (356)	15 (381)
	L	18 (457)	18 (457)	18 (457)	18 (457)	24 (610)	24 (610)	24 (610)	24 (610)	30 (762)	30 (762)	30 (762)	30 (762)
45°	A	**	11 1/4 (281)	12 1/2 (318)	13 3/4 (352)	**	14 5/8 (370)	16 (406)	17 1/2 (443)	**	18 3/4 (470)	19 1/2 (495)	20 1/4 (532)
	L	**	19 3/4 (505)	19 3/4 (505)	19 3/4 (505)	**	28 3/4 (721)	28 3/4 (721)	28 3/4 (721)	**	36 3/4 (937)	36 3/4 (937)	36 3/4 (937)



PT. ECO MULTI SINERGI
ALDEOZ BUILDING LT. 6

Jl. Warung Jati barat No. 39 RT 10 RW 04 Kalibata, Pancoran, Jakarta Selatan 12740

Phone: 021 2753 4458 / Fax 021 2753 4459



FIRE RETARDANT



LIGHT WIGHT



EASY
INSTALLATIONS



CORROSION
RESISTANT



HIGH
STRENGTH



NON
CONDUCTIVE

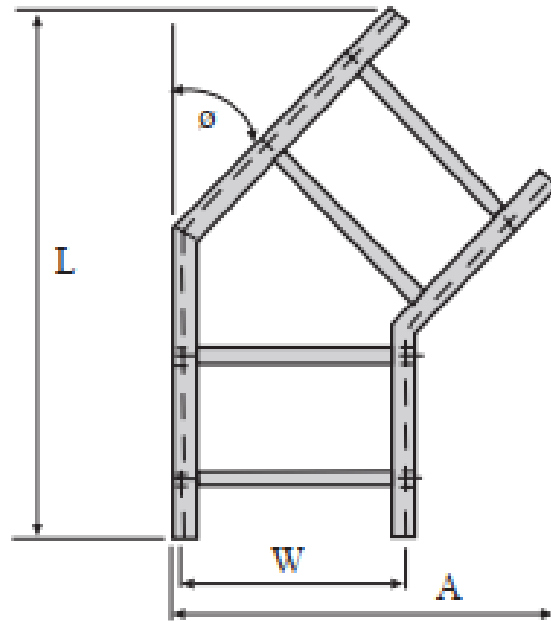
Mitered Fittings-Ladder Cable Tray

30°, 45°, 60° Horizontal Direct Bend

Part No. Key*

EHBD-(Δ)(H)-30/45/60-(W)

The 60° fitting is fabricated with the horizontal adjustable splice plates.



Dimension Inches (mm)

Width	30° Angle (α)		45° Angle (α)		60° Angle (α)	
	A	L	A	L	A	L
6 (152)	14 ¹ / ₁₆ (357)	31 ¹ / ₂ (800)	17 (432)	30 (762)	19 ¹ / ₁₆ (487)	27 ¹ / ₁₆ (700)
9 (229)	17 ¹ / ₁₆ (433)	33 (838)	20 (508)	32 ¹ / ₁₆ (814)	22 ¹ / ₁₆ (564)	30 ¹ / ₁₆ (767)
12 (305)	20 ¹ / ₁₆ (510)	34 ¹ / ₂ (876)	23 (584)	34 ¹ / ₁₆ (870)	25 ¹ / ₁₆ (640)	32 ¹ / ₄ (832)
18 (457)	26 ¹ / ₁₆ (675)	39 ¹ / ₁₆ (999)	29 ¹ / ₄ (756)	40 ¹ / ₁₆ (1021)	32 (813)	39 ¹ / ₁₆ (1002)
24 (610)	32 ¹ / ₁₆ (827)	42 ¹ / ₁₆ (1075)	36 ¹ / ₄ (933)	44 ¹ / ₁₆ (1129)	38 (965)	44 ¹ / ₁₆ (1133)
30 (762)	38 ¹ / ₁₆ (979)	45 ¹ / ₁₆ (1151)	41 ¹ / ₄ (1060)	48 ¹ / ₁₆ (1237)	44 (1118)	49 ¹ / ₁₆ (1267)
36 (914)	44 ¹ / ₁₆ (1132)	48 ¹ / ₁₆ (1227)	47 ¹ / ₄ (1213)	52 ¹ / ₁₆ (1345)	50 (1270)	55 ¹ / ₁₆ (1399)



PT. ECO MULTI SINERGI
ALDEOZ BUILDING LT. 6

Jl. Warung Jati barat No. 39 RT 10 RW 04 Kalibata, Pancoran, Jakarta Selatan 12740

Phone: 021 2753 4458 / Fax 021 2753 4459



FIRE RETARDANT



LIGHT WIGHT



EASY
INSTALATIONS



CORROSION
RESISTANT



HIGH
STRENGTH



NON
CONDUCTIVE

Mitered Fittings-Ladder Cable Tray

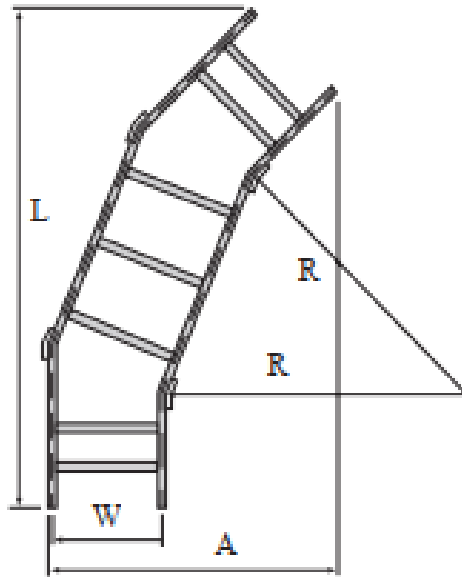
45° Horizontal Bend

Part No. Key*

EHB-(Δ)(H)-45-(W)-(R)

Please contact us for other 30°/60° radius mitered fittings.

Joining 45° Horizontal Bend
 $X = 2A - .707 (W + .5)$
 $Y = 2L - .707 (W + .5)$



Dimension Inches (mm)

Width	12" (305) Radius		24" (610) Radius		36" (914) Radius	
	A	L	A	L	A	L
6 (152)	20 ¹ / ₁₆ (525)	38 ⁷ / ₁₆ (987)	24 ¹ / ₄ (616)	47 ¹ / ₄ (1203)	27 ¹ / ₄ (705)	55 ¹ / ₄ (1419)
9 (229)	23 ¹ / ₁₆ (602)	41 (1041)	27 ¹ / ₄ (692)	49 ¹ / ₂ (1257)	30 ¹ / ₄ (781)	58 (1473)
12 (305)	26 ¹ / ₁₆ (678)	43 ¹ / ₄ (1095)	30 ¹ / ₄ (768)	51 ¹ / ₄ (1311)	33 ¹ / ₄ (857)	60 ¹ / ₄ (1527)
18 (457)	32 ¹ / ₁₆ (830)	47 ¹ / ₄ (1203)	36 ¹ / ₄ (921)	55 ¹ / ₄ (1419)	39 ¹ / ₄ (1010)	64 ¹ / ₄ (1635)
24 (610)	38 ¹ / ₁₆ (983)	51 ¹ / ₄ (1311)	42 ¹ / ₄ (1073)	60 ¹ / ₄ (1527)	45 ¹ / ₄ (1162)	68 ¹ / ₄ (1743)
30 (762)	44 ¹ / ₁₆ (1135)	55 ¹ / ₄ (1419)	48 ¹ / ₄ (1226)	64 ¹ / ₄ (1635)	51 ¹ / ₄ (1314)	72 ¹ / ₄ (1846)
36 (914)	50 ¹ / ₁₆ (1287)	60 ¹ / ₄ (1527)	54 ¹ / ₄ (1378)	68 ¹ / ₄ (1743)	57 ¹ / ₄ (1467)	77 ¹ / ₁₆ (1957)



PT. ECO MULTI SINERGI
 ALDEOZ BUILDING LT. 6

Jl. Warung Jati barat No. 39 RT 10 RW 04 Kalibata, Pancoran, Jakarta Selatan 12740

Phone: 021 2753 4458 / Fax 021 2753 4459



FIRE RETARDANT



LIGHT WIGHT



EASY
 INSTALATIONS



CORROSION
 RESISTANT



HIGH
 STRENGTH



NON
 CONDUCTIVE

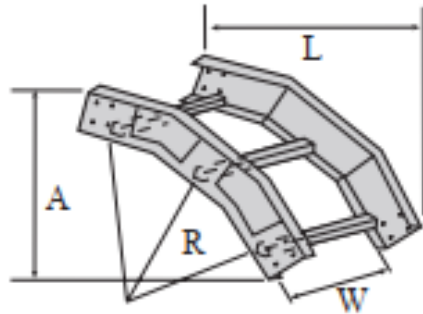
Mitered Fittings-Ladder Cable Tray

30°/45° Vertical Outside Bend

Part No. Key*

EOV-(Δ)(H)-30 or 45-(W)-(R)

All dimensions are to the nearest 1/4"

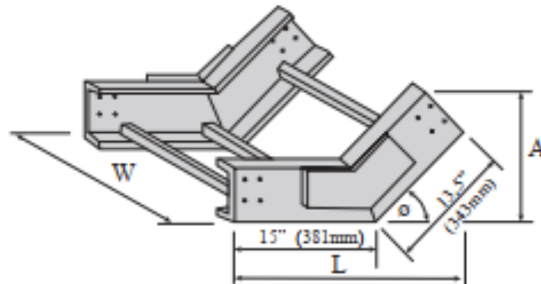


Dim. Inches (mm)		12" Radius				24" Radius				36" Radius			
		Depth				Depth				Depth			
		3"	4"	6"	8"	3"	4"	6"	8"	3"	4"	6"	8"
30°	A	7 (178)	8 (203)	10 (254)	10 (254)	9 (229)	10 (254)	12 (305)	12 (305)	11 (279)	12 (305)	14 (356)	14 (356)
	L	17 (432)	17 (432)	18 (457)	18 (457)	23 (584)	23 (584)	24 (610)	24 (610)	29 (737)	29 (737)	30 (762)	30 (762)
45°	A	**	10 1/4 (273)	12 1/4 (324)	14 1/4 (375)	**	14 1/16 (364)	16 1/16 (414)	18 1/16 (465)	**	17 1/16 (452)	19 1/16 (503)	21 1/16 (554)
	L	**	19 1/16 (487)	20 1/16 (522)	22 (559)	**	27 1/16 (703)	29 1/16 (738)	30 1/2 (775)	**	36 1/4 (918)	37 1/16 (954)	39 (991)

30°/45° Vertical Inside Direct Bend

Part No. Key*

EIVD-(Δ)(H)-30 or 45-(W)

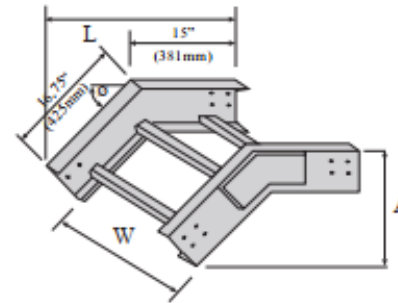


Dim. Inches (mm)	30° Angle (°)			45° Angle (°)		
	Depth**			Depth**		
	4"	6"	8"	4"	6"	8"
A	10 1/16 (259)	11 1/16 (303)	13 1/16 (348)	12 1/16 (314)	13 1/16 (351)	15 1/16 (386)
L	26 1/16 (678)	26 1/16 (678)	26 1/16 (678)	24 1/16 (624)	24 1/16 (624)	24 1/16 (624)

30°/45° Vertical Outside Direct Bend

Part No. Key*

EOVD-(Δ)(H)-30 or 45-(W)



Dim. Inches (mm)	30° Angle (°)			45° Angle (°)		
	Depth**			Depth**		
	4"	6"	8"	4"	6"	8"
A	11 1/16 (300)	13 1/16 (344)	16 1/16 (408)	14 1/16 (357)	16 1/16 (408)	18 1/16 (473)
L	29 1/2 (749)	29 1/2 (749)	30 1/2 (784)	26 1/2 (683)	26 1/2 (683)	27 1/16 (710)

PT. ECO MULTI SINERGI
ALDEOZ BUILDING LT. 6

Jl. Warung Jati barat No. 39 RT 10 RW 04 Kalibata, Pancoran, Jakarta Selatan 12740

Phone: 021 2753 4458 / Fax 021 2753 4459



FIRE RETARDANT



LIGHT WIGHT



EASY INSTALATIONS



CORROSION RESISTANT



HIGH STRENGTH



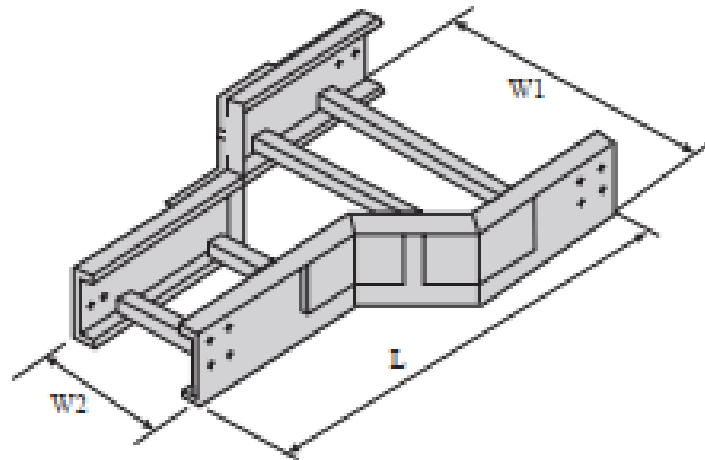
NON CONDUCTIVE

Mitered Fittings-Ladder Cable Tray

Straight Reducer

Part No. Key*

ESR-(Δ)(H)-(W1)x(W2)



		W1 Inches (mm)					
		36 (914)	30 (762)	24 (610)	18 (457)	12 (305)	9 (229)
W2 Inches (mm)	6 (152)	43½ (1105)	40½ (1029)	37½ (953)	34½ (876)	26¼ (679)	26¼ (670)
	9 (229)	42 (1067)	39 (991)	36 (914)	33 (838)	26¼ (670)	—
	12 (305)	40½ (1029)	37½ (953)	36 (914)	26¼ (679)	—	—
	18 (457)	37½ (953)	35¼ (908)	26¼ (679)	—	—	—
	24 (610)	35¼ (908)	26¼ (679)	—	—	—	—
	30 (762)	26¼ (679)	—	—	—	—	—
			Dimension "L" Inches (mm)				



FIRE RETARDANT



LIGHT WIGHT



EASY
INSTALATIONS



CORROSION
RESISTANT



HIGH
STRENGTH



NON
CONDUCTIVE

PT. ECO MULTI SINERGI
ALDEOZ BUILDING LT. 6

Jl. Warung Jati barat No. 39 RT 10 RW 04 Kalibata, Pancoran, Jakarta Selatan 12740

Phone: 021 2753 4458 / Fax 021 2753 4459

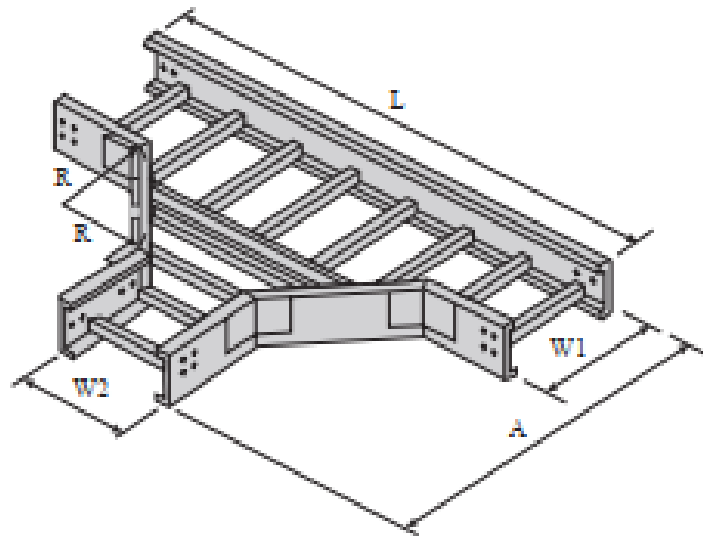


Mitered Fittings-Ladder Cable Tray

Horizontal Tee

Part No. Key*

EHT-(Δ)(H)-(W1)-(W2)-(R)



Dimension Inches (mm)

Width	12" (305) Radius		24" (610) Radius		36" (914) Radius	
	A	L	A	L	A	L
6 (152)	30½ (780)	55½ (1410)	42½ (1080)	74 (1880)	54½ (1390)	101½ (2580)
9 (229)	33½ (850)	55½ (1410)	45½ (1160)	83½ (2110)	57½ (1460)	101½ (2580)
12 (305)	36½ (930)	55½ (1410)	48½ (1240)	83½ (2110)	60½ (1540)	111 (2820)
18 (457)	42½ (1080)	64½ (1640)	54½ (1390)	92½ (2350)	66½ (1690)	111 (2820)
24 (610)	48½ (1240)	74 (1880)	60½ (1540)	92½ (2350)	72½ (1840)	120½ (3050)
30 (762)	54½ (1390)	74 (1880)	66½ (1690)	101½ (2580)	78½ (2000)	129½ (3290)
36 (914)	60½ (1540)	83½ (2110)	72½ (1840)	111 (2820)	84½ (2150)	129½ (3290)



PT. ECO MULTI SINERGI
ALDEOZ BUILDING LT. 6

Jl. Warung Jati barat No. 39 RT 10 RW 04 Kalibata, Pancoran, Jakarta Selatan 12740

Phone: 021 2753 4458 / Fax 021 2753 4459



FIRE RETARDANT



LIGHT WIGHT



EASY
INSTALATIONS



CORROSION
RESISTANT



HIGH
STRENGTH

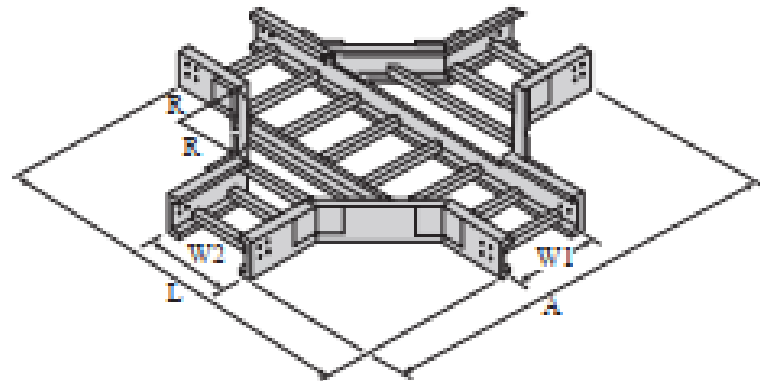


NON
CONDUCTIVE

Mitered Fittings-Ladder Cable Tray

Horizontal Cross

Part No. Key*
EHC-(Δ)(H)-(W1)-(W2)-(R)



Dimension Inches (mm)

Width	12" (305) Radius		24" (610) Radius		36" (914) Radius	
	A	L	A	L	A	L
6 (152)	54½ (1390)	55½ (1410)	78½ (2000)	74 (1880)	102½ (2610)	101½ (2580)
9 (229)	57½ (1470)	55½ (1410)	81½ (2080)	83½ (2110)	105½ (2690)	101½ (2580)
12 (305)	60½ (1540)	55½ (1410)	84½ (2150)	83½ (2110)	108½ (2760)	111 (2820)
18 (457)	66½ (1700)	64½ (1640)	90½ (2310)	92½ (2350)	114½ (2910)	111 (2820)
24 (610)	72½ (1850)	74 (1880)	96½ (2460)	92½ (2350)	120½ (3070)	120½ (3050)
30 (762)	78½ (2000)	74 (1880)	102½ (2610)	101½ (2580)	126½ (3220)	129½ (3290)
36 (914)	84½ (2150)	83½ (2110)	108½ (2760)	111 (2820)	132½ (3370)	129½ (3290)



PT. ECO MULTI SINERGI
 ALDEOZ BUILDING LT. 6

Jl. Warung Jati barat No. 39 RT 10 RW 04 Kalibata, Pancoran, Jakarta Selatan 12740

Phone: 021 2753 4458 / Fax 021 2753 4459



FIRE RETARDANT



LIGHT WIGHT



EASY
 INSTALATIONS



CORROSION
 RESISTANT



HIGH
 STRENGTH



NON
 CONDUCTIVE

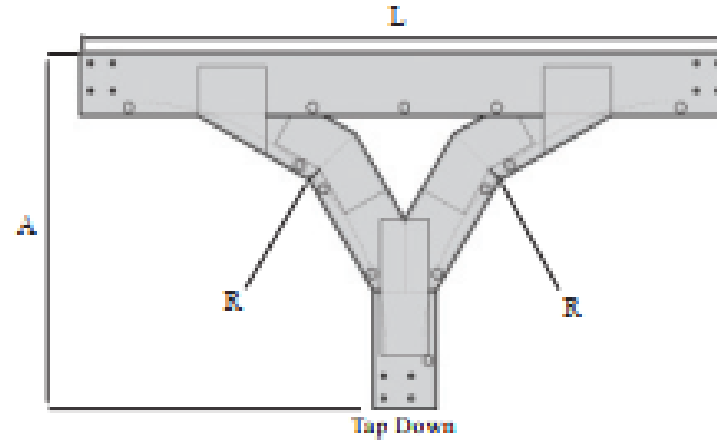
Mitered Fittings-Ladder Cable Tray

Vertical Tee

Part No. Key*

EVT-(Δ)(H)-90-(W)-(R)

Specify "up" or "down" at the end of the part number. For tap up, dimensions different than tap down, contact us for dimensions.



Dimensions Inches (mm)		
Radius	A	L
24 (610)	33½ (860)	61½ (1568)
36 (914)	45½ (1165)	85½ (2178)



FIRE RETARDANT



LIGHT WIGHT



EASY
INSTALATIONS



CORROSION
RESISTANT



HIGH
STRENGTH



NON
CONDUCTIVE

PT. ECO MULTI SINERGI
ALDEOZ BUILDING LT. 6

Jl. Warung Jati barat No. 39 RT 10 RW 04 Kalibata, Pancoran, Jakarta Selatan 12740

Phone: 021 2753 4458 / Fax 021 2753 4459

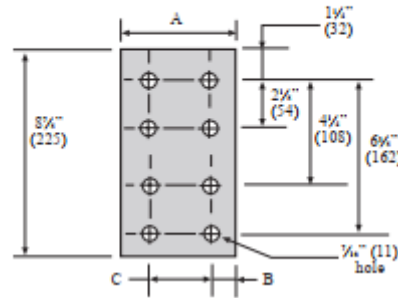


Splice Plate-Ladder Cable Tray

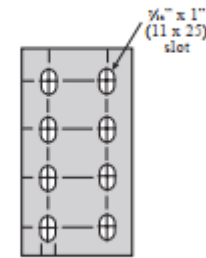
Typical Dimensions for FRP/GRP Splice Plates

Typical Dimensions Inches (mm)			
Channel Depth Inches (mm)	A	B	C
3 (76)	1 3/4 (44)	1 (25)	-0-
4 (102)	2 (51)	1 (25)	-0-
6 (152)	4 3/4 (117)	1 (25)	2 3/4 (67)
8 (203)	6 (152)	1 1/16 (43)	2 3/4 (67)

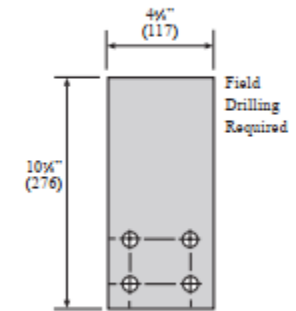
Straight Section



Expansion



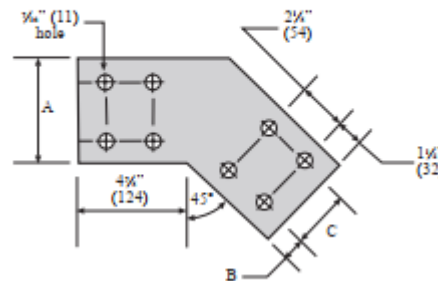
90° Vertical



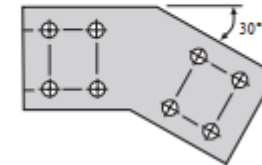
Typical Dimensions for Stainless Splice Plates

Typical Dimensions Inches (mm)			
Channel Depth Inches (mm)	A	B	C
3 (76)	1 3/4 (32)	3/4 (16)	-0-
4 (102)	1 3/4 (32)	3/4 (16)	-0-
6 (152)	4 3/4 (105)	3/4 (19)	2 3/4 (67)
8 (203)	4 3/4 (105)	3/4 (19)	2 3/4 (67)

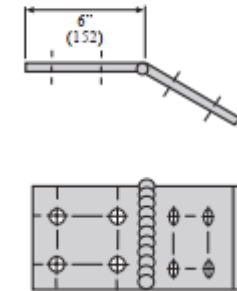
45° Vertical



30° Vertical



Adjustable Horizontal



FIRE RETARDANT



LIGHT WIGHT



EASY
INSTALATIONS



CORROSION
RESISTANT



HIGH
STRENGTH



NON
CONDUCTIVE

PT. ECO MULTI SINERGI
ALDEOZ BUILDING LT. 6

Jl. Warung Jati barat No. 39 RT 10 RW 04 Kalibata, Pancoran, Jakarta Selatan 12740

Phone: 021 2753 4458 / Fax 021 2753 4459



FIBERCO

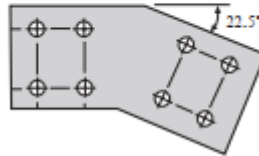
Splice Plate-Ladder Cable Tray

Typical Dimensions for FRP/GRP Splice Plates

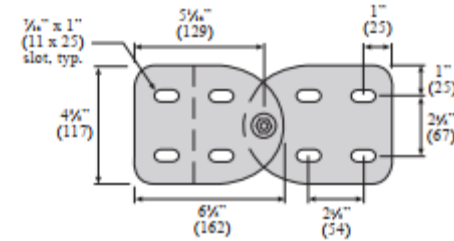
Typical Dimensions Inches (mm)

Channel Depth Inches (mm)	A	B	C
3 (76)	1 1/4 (44)	1 (25)	-0-
4 (102)	2 (51)	1 (25)	-0-
6 (152)	4 1/4 (117)	1 (25)	2 1/4 (67)
8 (203)	6 (152)	1 1/16 (43)	2 1/4 (67)

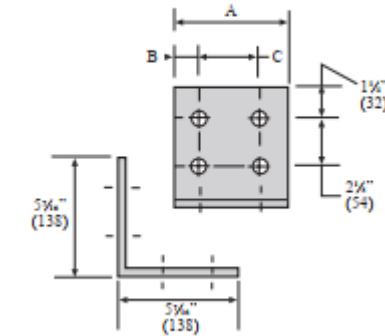
22.5° Vertical



Adjustable Vertical



90° Horizontal



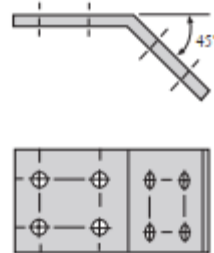
For adjustable vertical plate hardware, use catalog number 305168SS. For travel dimensions, contact us.

Typical Dimensions for Stainless Splice Plates

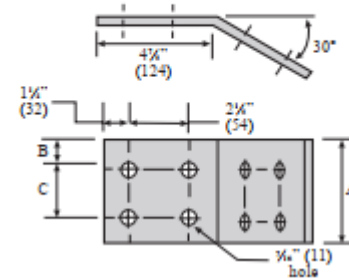
Typical Dimensions Inches (mm)

Channel Depth Inches (mm)	A	B	C
3 (76)	1 1/4 (32)	3/4 (16)	-0-
4 (102)	1 1/4 (32)	3/4 (16)	-0-
6 (152)	4 1/4 (105)	3/4 (19)	2 1/4 (67)
8 (203)	4 1/4 (105)	3/4 (19)	2 1/4 (67)

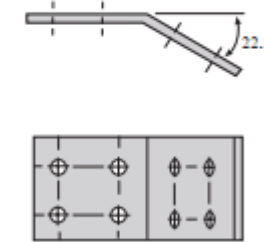
45° Horizontal



30° Horizontal



22.5° Horizontal



PT. ECO MULTI SINERGI
ALDEOZ BUILDING LT. 6

Jl. Warung Jati barat No. 39 RT 10 RW 04 Kalibata, Pancoran, Jakarta Selatan 12740

Phone: 021 2753 4458 / Fax 021 2753 4459



FIRE RETARDANT



LIGHT WIGHT



EASY
INSTALATIONS



CORROSION
RESISTANT



HIGH
STRENGTH



NON
CONDUCTIVE

Splice Plate-Ladder Cable Tray

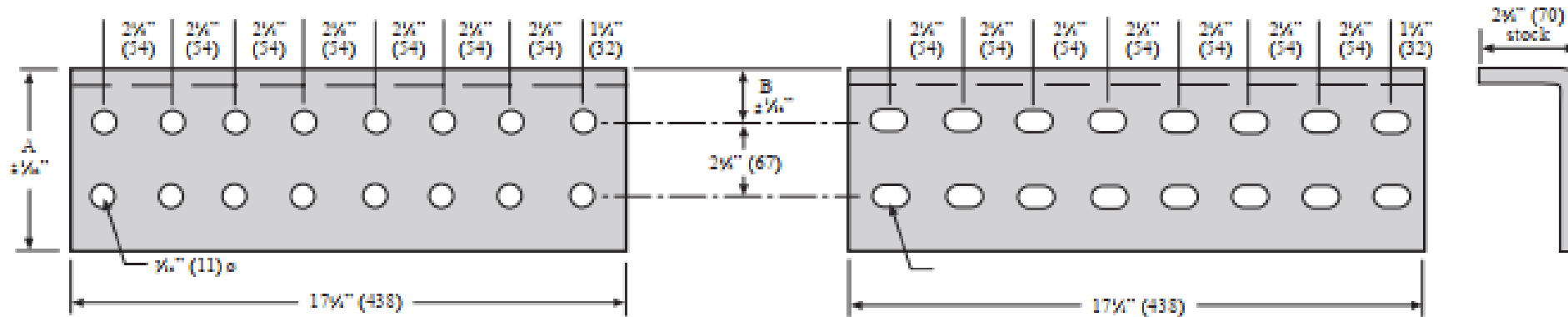
Heavy Duty Splice Plates

Part No. Key*

ESP-(H) HP-180 Splice Plate

Part No. Key*

EEP-(H) HP-180 Splice Plate



Side Rail Height Inches (mm)	A Inches (mm)	B Inches (mm)
4 (102)	3 (76)	1 1/4 (35)
6 (152)	5 (127)	1 1/4 (35)
8 (204)	6 3/4 (162)	2 1/4 (52)

PT. ECO MULTI SINERGI
ALDEOZ BUILDING LT. 6

Jl. Warung Jati barat No. 39 RT 10 RW 04 Kalibata, Pancoran, Jakarta Selatan 12740

Phone: 021 2753 4458 / Fax 021 2753 4459



FIRE RETARDANT



LIGHT WIGHT



EASY
INSTALATIONS



CORROSION
RESISTANT



HIGH
STRENGTH



NON
CONDUCTIVE

Splice Plate-Ladder Cable Tray

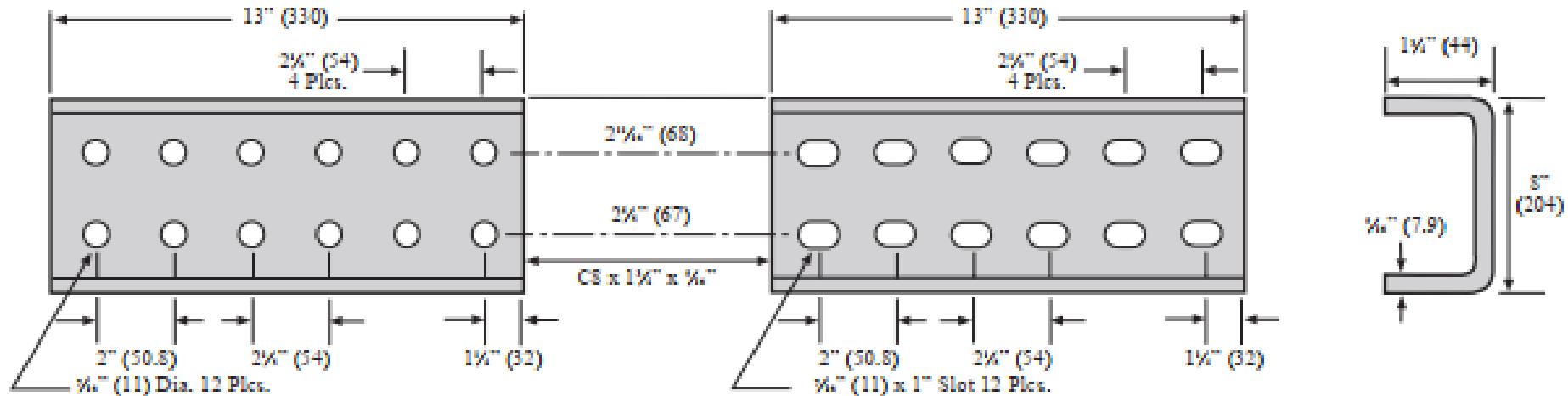
10" Channel Splice Plates

Part No.

ESP-10C-180 Splice Plate

Part No.

EEP-10C-180 Splice Plate



FIRE RETARDANT



LIGHT WIGHT



EASY
INSTALLATIONS



CORROSION
RESISTANT



HIGH
STRENGTH



NON
CONDUCTIVE

PT. ECO MULTI SINERGI
ALDEOZ BUILDING LT. 6

Jl. Warung Jati barat No. 39 RT 10 RW 04 Kalibata, Pancoran, Jakarta Selatan 12740

Phone: 021 2753 4458 / Fax 021 2753 4459

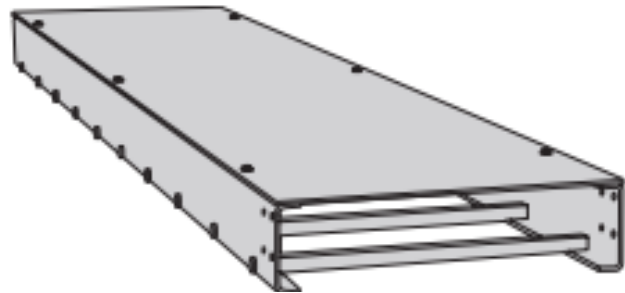


Accessories-Ladder Cable Tray

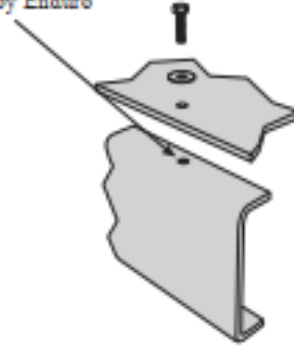
Clampless Flat Cover

Part No. Key*

EPC-CL-(W)-(Δ)



Stainless embedded nut
pre-installed by Enduro



Easiest & Lowest Installation Cost

Eliminates the need for Cover Hold Down Clamp for a quicker and easier field installation.

Recommended to be purchased with a cable tray straight section matching the clampless flat cover section.

A total of three pairs of stainless embedded nuts are pre-installed to the cable tray channels by Enduro. Contact us for metal types available on embedded nuts. 1/4" diameter stainless fasteners and flat washers are also included and shipped separately.

Contact us regarding fittings availability on this type of cover system.

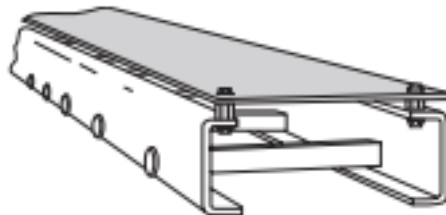
Available tray widths (inches): 6, 9, 12, 18, 24, 30, 36

Flat Cover

Part No. Key*

"C" Tray: E(Δ)C-(W)

"Z" Tray: EZC-(W)



Installation Methods for Flat Cover: Thermoplastic Drive Rivets (part no. R-25) are the most economical method, but do require field drilling.

It is recommended rivets be installed on 24" centers along both side rails.

Cover Hold Down Clamps and Enduro Stand Offs allow cover to be removed for easy access to cables - see page 26.

It is recommended to use seven pair at 1'6" on center per 10 Ft. length of cover.

Add ventilation height 2" for Flat Cover.

Flat covers can be ventilated or non-ventilated. Diagram shown is ventilated.

Tray Width Inches (mm)	"C" Tray Type	Wt./LF	"Z" Tray Type	Wt./LF
6 (152)	EPC-06	0.57	EZC-06	0.95
9 (229)	EPC-09	0.86	EZC-09	1.24
12 (305)	EPC-12	1.14	EZC-12	1.52
18 (457)	EPC-18	1.71	EZC-18	2.09
24 (610)	EPC-24	2.28	EZC-24	2.66
30 (762)	EPC-30	2.85	EZC-30	3.23
36 (914)	EPC-36	3.42	NA	NA



PT. ECO MULTI SINERGI
ALDEOZ BUILDING LT. 6

Jl. Warung Jati barat No. 39 RT 10 RW 04 Kalibata, Pancoran, Jakarta Selatan 12740

Phone: 021 2753 4458 / Fax 021 2753 4459



FIRE RETARDANT



LIGHT WIGHT



EASY
INSTALATIONS



CORROSION
RESISTANT



HIGH
STRENGTH



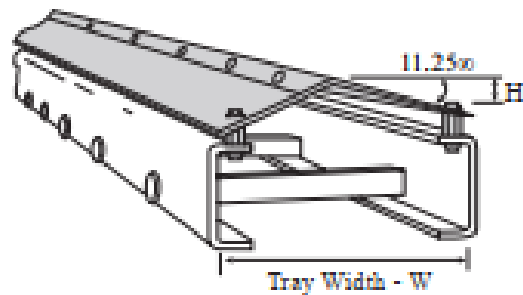
NON
CONDUCTIVE

Accessories-Ladder Cable Tray

Peaked Cover

Part No. Key*

EPC22-(W)



Contact us for Z-Tray covers.

Installation Methods for Peaked Cover: Use three pair of Enduro Stand Offs - Peaked for each 10 ft. length of tray.

Peaked cover is not available for fittings.

Contact us for information on 22.5°, 30° and 45° peaked covers.

Add ventilation height 1 1/4" for peaked cover.

Peaked covers can be ventilated or non-ventilated. Diagram shown is ventilated.

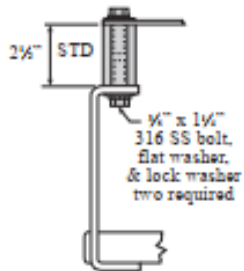
"C" Tray Type	Dimensions In. (mm)		Wt./LF
	W	H	
EPC22-06	6 (152)	0.6 (15)	0.77
EPC22-09	9 (229)	0.9 (23)	0.77
EPC22-12	12 (305)	1.2 (31)	1.3
EPC22-18	18 (457)	1.8 (46)	1.5
EPC22-24	24 (610)	2.4 (61)	1.9
EPC22-30	30 (762)	3.0 (76)	2.1
EPC22-36	36 (914)	3.6 (91)	2.4

Stand Off

Part No.

ESO

Vinyl Ester resin is the standard. Includes mounting hardware.

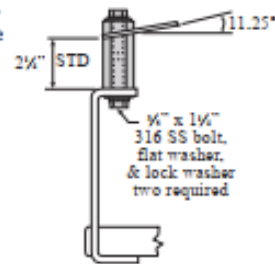


Stand Off Peaked

Part No.

ESOP

Vinyl Ester resin is the standard. Includes mounting hardware.

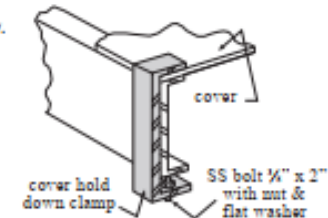


Cover Hold Down Clamp

Part No. Key*

ECHD-(H)(Δ)

Not suited for high wind applications. Not available for EH26 tray.



PT. ECO MULTI SINERGI
ALDEOZ BUILDING LT. 6

Jl. Warung Jati barat No. 39 RT 10 RW 04 Kalibata, Pancoran, Jakarta Selatan 12740

Phone: 021 2753 4458 / Fax 021 2753 4459



FIRE RETARDANT



LIGHT WIGHT



EASY
INSTALATIONS



CORROSION
RESISTANT



HIGH
STRENGTH



NON
CONDUCTIVE

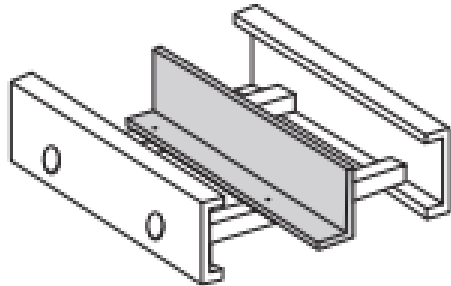
Accessories-Ladder Cable Tray

Divider Strip

Part No. Key*

Loose: EDS-(Δ)-1

Installed: EDS-(Δ)-2



Divider strips are supplied in ten foot lengths.

Unless indicated otherwise, dividers are intended for field installation. Please indicate installation position if required.


For easier installation, dividers can be furnished with factory-drilled notching with additional cost.


Divider strips are available for fittings, please contact us for part numbers.

For securing riveted divider to tray we use 3/16" SS rivets. We also have available thermoplastic drive rivets (directly below) which require field drilling.


Adjustable Clamp for Divider Strip

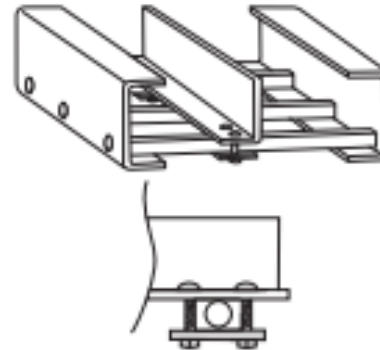
Part No. Key*

For  Side Rail: ADC-1(Δ)

For  Side Rail: ADC-2(Δ)

This part number is only for the adjustable clamp, does not include divider strip.

 side rail only available in 3" (76), 4" (102), 6" (152) and 8" (203)



FIRE RETARDANT



LIGHT WIGHT



EASY
INSTALLATIONS



CORROSION
RESISTANT



HIGH
STRENGTH



NON
CONDUCTIVE

PT. ECO MULTI SINERGI
ALDEOZ BUILDING LT. 6

Jl. Warung Jati barat No. 39 RT 10 RW 04 Kalibata, Pancoran, Jakarta Selatan 12740

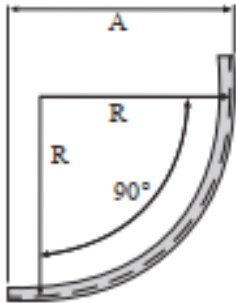
Phone: 021 2753 4458 / Fax 021 2753 4459



Fitting & Accessories Tray-Ladder Cable Tray

90° Vertical Inside Molded

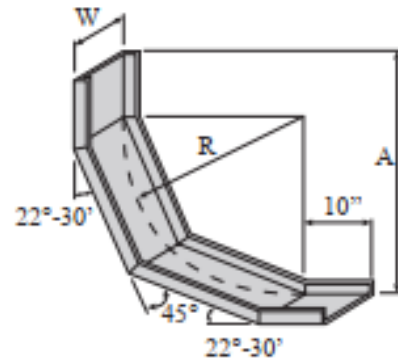
Part No.	Radius	A
EI(B)-(Δ)-MC90IV-18-600	18" (457)	22¼" (578)
EI(B)-(Δ)-MC90IV-24-400	24" (610)	28½" (729)
EI(B)-(Δ)-MC90IV-24-600	24" (610)	28¾" (730)



90° Vertical Inside Mitered

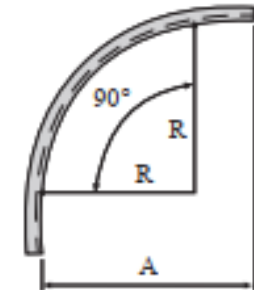
Part No.	A
EI(B)-(Δ)-90IV-(R)-(W)	22¼" (565)
EI(B)-(Δ)-90IV-(R)-(W)	34¼" (820)

R = Radius which can be 12" (305) or 24" (610); W = Width which can be 2", 3", 4", 6", 8" or 10"; For 10" dimensions contact us.



90° Vertical Outside Molded

Part No.	Radius	A
EI(B)-(Δ)-MC90OV-12-600	12" (305)	16¼" (413)
EI(B)-(Δ)-MC90OV-24-400	24" (610)	28½" (719)
EI(B)-(Δ)-MC90OV-24-600	24" (610)	28¾" (718)
EI(B)-(Δ)-MC90OV-24-800	24" (610)	28½" (716)



FIRE RETARDANT



LIGHT WIGHT



EASY
INSTALATIONS



CORROSION
RESISTANT



HIGH
STRENGTH



NON
CONDUCTIVE

PT. ECO MULTI SINERGI
ALDEOZ BUILDING LT. 6

Jl. Warung Jati barat No. 39 RT 10 RW 04 Kalibata, Pancoran, Jakarta Selatan 12740

Phone: 021 2753 4458 / Fax 021 2753 4459

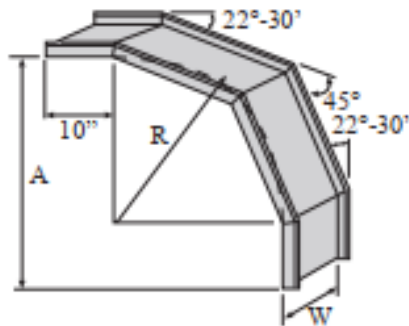


Fitting & Accessories Tray-Ladder Cable Tray

90° Vertical Outside Mitered

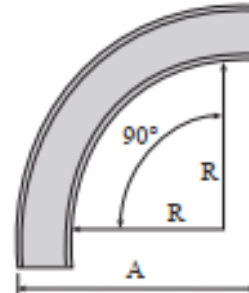
Part No.	A
EI(B)-(Δ)-90OV-(R)-(W)	22" (559)
EI(B)-(Δ)-90OV-(R)-(W)	34" (864)

R = Radius which can be 12" (305) or 24" (610); W = Width which can be 2", 3", 4", 6", 8" or 10"; For 10" dimensions contact us.



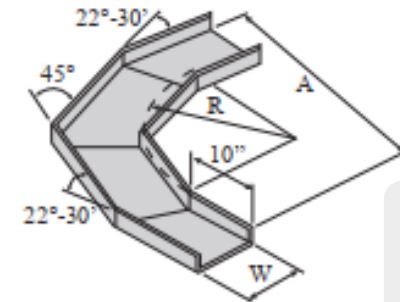
90° Horizontal Molded

Part No.	Radius	A
EI(B)-(Δ)-MC90HB-12-600	12" (305)	22 1/4" (578)
EI(B)-(Δ)-MC90HB-24-400	24" (610)	32 1/16" (833)
EI(B)-(Δ)-MC90HB-24-600	24" (610)	34 1/4" (883)
EI(B)-(Δ)-MC90HB-24-800	24" (610)	36 1/16" (932)



90° Horizontal Bend

	Part No.	A
12" (305) Radius	EI(B)-(Δ)-90HB-12-200	24" (610)
	EI(B)-(Δ)-90HB-12-300	25" (635)
	EI(B)-(Δ)-90HB-12-400	26" (660)
	EI(B)-(Δ)-90HB-12-600	28" (711)
	EI(B)-(Δ)-90HB-12-800	30" (762)
	EI(B)-(Δ)-90HB-12-1000	32" (813)
24" (610) Radius	EI(B)-(Δ)-90HB-24-200	36" (914)
	EI(B)-(Δ)-90HB-24-300	37" (940)
	EI(B)-(Δ)-90HB-24-400	38" (965)
	EI(B)-(Δ)-90HB-24-600	40" (1016)
	EI(B)-(Δ)-90HB-24-800	42" (1067)
	EI(B)-(Δ)-90HB-24-1000	44" (1118)



(B) = S for solid
P for Ventilated

(Δ) = PE for Polyester
VE for Vinyl Ester

PT. ECO MULTI SINERGI
ALDEOZ BUILDING LT. 6

Jl. Warung Jati barat No. 39 RT 10 RW 04 Kalibata, Pancoran, Jakarta Selatan 12740

Phone: 021 2753 4458 / Fax 021 2753 4459



FIRE RETARDANT



LIGHT WIGHT



EASY
INSTALATIONS



CORROSION
RESISTANT



HIGH
STRENGTH



NON
CONDUCTIVE

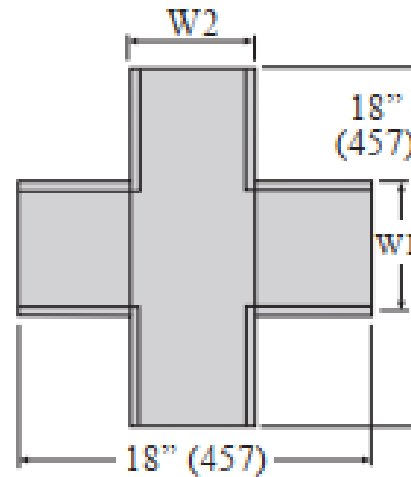
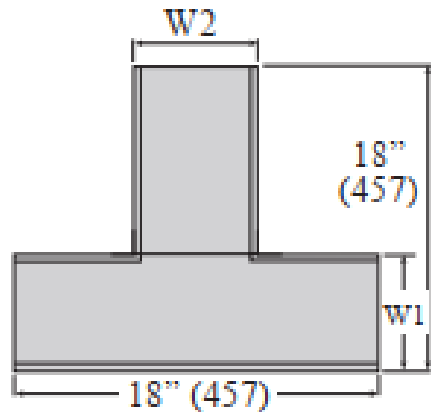
Fitting & Accessories Tray-Ladder Cable Tray

Horizontal Tee & Horizontal Cross

Tee Part No. Key*	Cross Part No. Key*	W1	W2
EI(B)-(Δ)-HT-200	EI(B)-(Δ)-HC-200	2" (51)	2" (51)
EI(B)-(Δ)-HT-300	EI(B)-(Δ)-HC-300	3" (76)	3" (76)
EI(B)-(Δ)-HT-400	EI(B)-(Δ)-HC-400	4" (102)	4" (102)
EI(B)-(Δ)-HT-600	EI(B)-(Δ)-HC-600	6" (154)	6" (154)
EI(B)-(Δ)-HT-800	EI(B)-(Δ)-HC-800	8" (203)	8" (203)
EI(B)-(Δ)-HT-1000	EI(B)-(Δ)-HC-1000	10" (255)	10" (255)

(B) = S for solid
P for Ventilated

(Δ) = PE for Polyester
VE for Vinyl Ester



PT. ECO MULTI SINERGI
ALDEOZ BUILDING LT. 6

Jl. Warung Jati barat No. 39 RT 10 RW 04 Kalibata, Pancoran, Jakarta Selatan 12740

Phone: 021 2753 4458 / Fax 021 2753 4459



FIRE RETARDANT



LIGHT WIGHT



EASY
INSTALATIONS



CORROSION
RESISTANT



HIGH
STRENGTH



NON
CONDUCTIVE

Fitting & Accessories Tray-Ladder Cable Tray

Channel Tray Cover

Part No. Key*

EPC-(W)-(Δ)

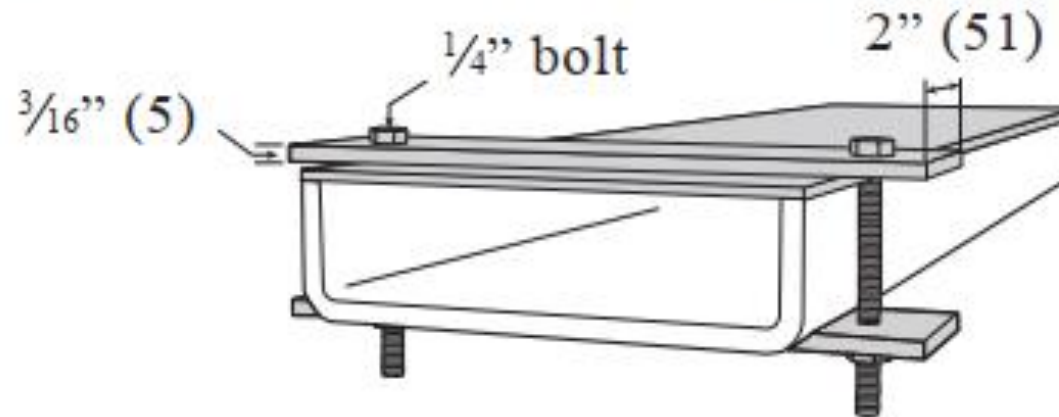
Δ = Resin - insert "P" for polyester resin, insert "Y" for halogen-free low smoke plus resin. Hardware and clamp not included. For other resin part numbers, contact us.

Channel Cover Clamp

Part No. Key*

CCC-(W)-(Δ)

Δ = Resin - insert "PE" for polyester resin, insert "Y" for halogen-free low smoke plus resin. 316 SS hardware included. For other resin part numbers, contact us.



FIRE RETARDANT



LIGHT WIGHT



EASY
INSTALATIONS



CORROSION
RESISTANT



HIGH
STRENGTH



NON
CONDUCTIVE

PT. ECO MULTI SINERGI
ALDEOZ BUILDING LT. 6

Jl. Warung Jati barat No. 39 RT 10 RW 04 Kalibata, Pancoran, Jakarta Selatan 12740

Phone: 021 2753 4458 / Fax 021 2753 4459



FIBERCO

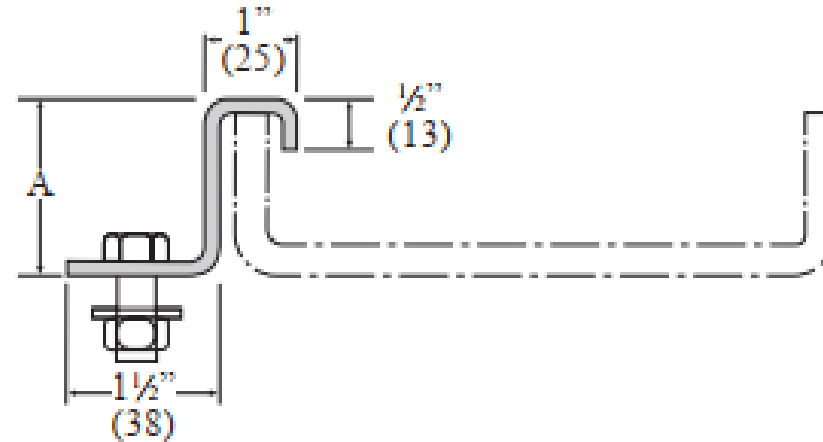
FIBERCO

Fitting & Accessories Tray-Ladder Cable Tray

Channel Hold Down Clip

Part No. Key	W	A
IHDC-3	3" (76)	1¼" (28)
IHDC-4	4" (102)	1¼" (33)
IHDC-4D	4" (102)	2¼" (54)
IHDC-6	6" (154)	1¼" (44)
IHDC-6D	6" (154)	2¼" (54)
IHDC-8	8" (203)	1¼" (47)
IHDC-10	10" (255)	2¼" (72)

10 Ga. 316 SS



FIRE RETARDANT



LIGHT WIGHT



EASY
INSTALATIONS



CORROSION
RESISTANT



HIGH
STRENGTH



NON
CONDUCTIVE

PT. ECO MULTI SINERGI
ALDEOZ BUILDING LT. 6

Jl. Warung Jati barat No. 39 RT 10 RW 04 Kalibata, Pancoran, Jakarta Selatan 12740

Phone: 021 2753 4458 / Fax 021 2753 4459

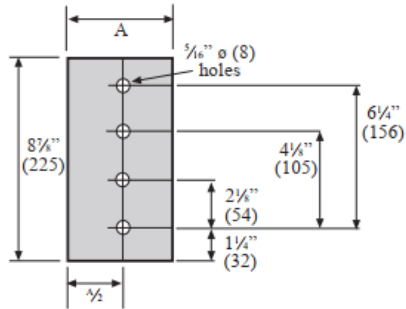


FIBERCO

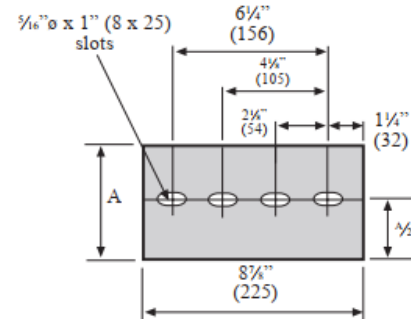
FIBERCO

Splice Plate Tray-Ladder Cable Tray

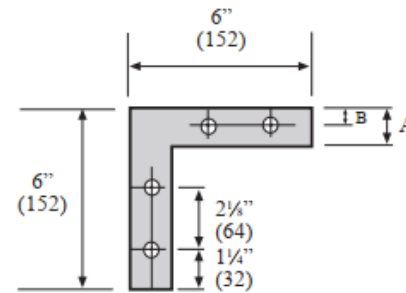
Straight Section



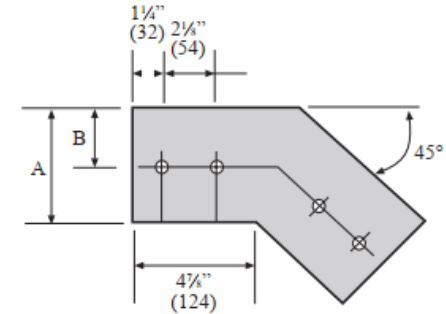
Expansion



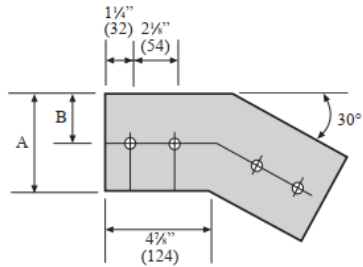
90° Vertical



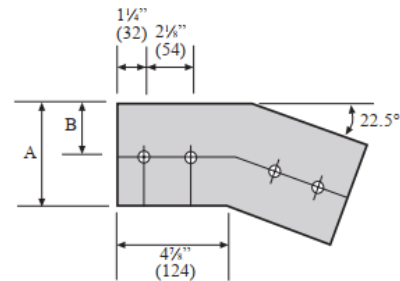
45° Vertical



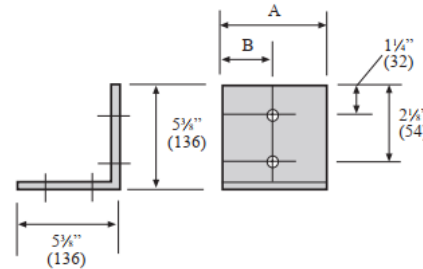
30° Vertical



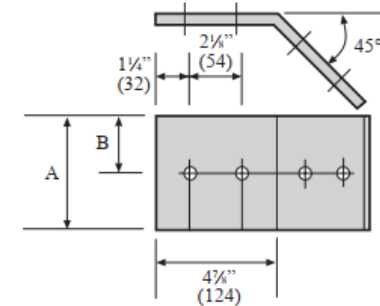
22.5° Vertical



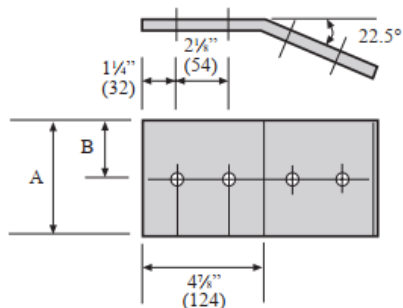
90° Horizontal



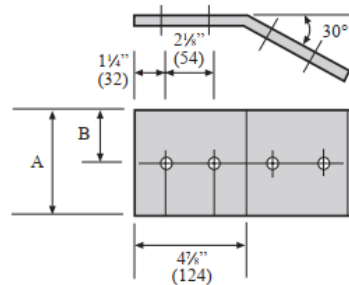
45° Horizontal



22.5° Horizontal



30° Horizontal



FIRE RETARDANT



LIGHT WIGHT



EASY
INSTALATIONS



CORROSION
RESISTANT



HIGH
STRENGTH



NON
CONDUCTIVE

PT. ECO MULTI SINERGI
ALDEOZ BUILDING LT. 6

Jl. Warung Jati barat No. 39 RT 10 RW 04 Kalibata, Pancoran, Jakarta Selatan 12740

Phone: 021 2753 4458 / Fax 021 2753 4459

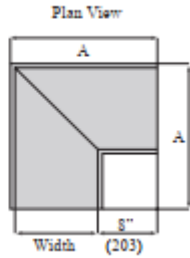


FIBERCO

Wireway Tray-Ladder Cable Tray

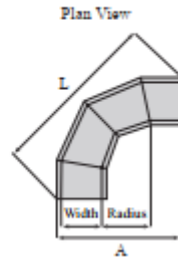
90° Horizontal Direct Bend

Part No.	A
CW 250-90H	8" (203)
CW 404-90H	12 ¹ / ₁₆ " (325)
CW 412-90H	21" (533)
CW 606-90H	15" (381)
CW 612-90H	21" (533)



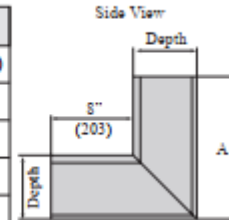
90° Horizontal Bend 12" Radius

Part No.	A	L
CW 250-90H-12	22 ¹ / ₁₆ " (572)	31 ¹ / ₁₆ " (808)
CW 404-90H-12	24 ¹ / ₁₆ " (630)	35" (889)
CW 412-90H-12	33" (838)	46 ¹ / ₁₆ " (1183)
CW 606-90H-12	27" (686)	38 ¹ / ₁₆ " (968)
CW 612-90H-12	33" (838)	46 ¹ / ₁₆ " (1183)



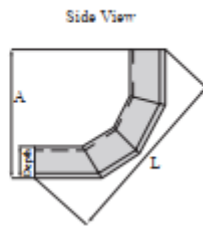
90° Vertical Inside Direct Bend

Part No.	A
CW 250-90IV	10 ¹ / ₁₆ " (267)
CW 404-90IV	12" (305)
CW 412-90IV	12" (305)
CW 606-90IV	14" (356)
CW 612-90IV	14" (356)



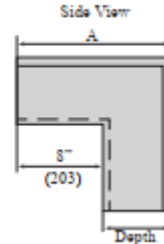
90° Vertical Inside Bend 12" Radius

Part No.	A	L
CW 250-90IV-12	17 ¹ / ₁₆ " (446)	24 ¹ / ₁₆ " (630)
CW 404-90IV-12	18 ¹ / ₁₆ " (460)	25 ¹ / ₁₆ " (652)
CW 412-90IV-12	18 ¹ / ₁₆ " (460)	25 ¹ / ₁₆ " (652)
CW 606-90IV-12	18 ¹ / ₁₆ " (460)	25 ¹ / ₁₆ " (652)
CW 612-90IV-12	18 ¹ / ₁₆ " (460)	25 ¹ / ₁₆ " (652)



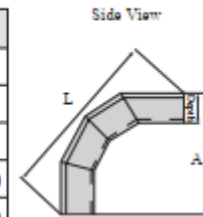
90° Vertical Outside Direct Bend

Part No.	A
CW 250-90OV	10 ¹ / ₁₆ " (267)
CW 404-90OV	12" (305)
CW 412-90OV	12" (305)
CW 606-90OV	14" (356)
CW 612-90OV	14" (356)



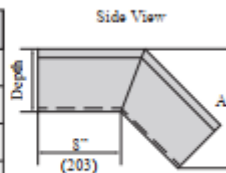
90° Vertical Outside Bend 12" Radius

Part No.	A	L
CW 250-90OV-12	19 ¹ / ₁₆ " (487)	27 ¹ / ₁₆ " (689)
CW 404-90OV-12	22 ¹ / ₁₆ " (562)	31 ¹ / ₁₆ " (797)
CW 412-90OV-12	22 ¹ / ₁₆ " (562)	31 ¹ / ₁₆ " (797)
CW 606-90OV-12	24 ¹ / ₁₆ " (614)	34 ¹ / ₁₆ " (868)
CW 612-90OV-12	24 ¹ / ₁₆ " (614)	34 ¹ / ₁₆ " (868)



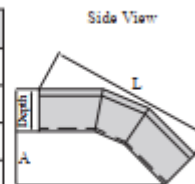
45° Vertical Outside Direct Bend

Part No.	A
CW 250-45OV	8 ¹ / ₁₆ " (205)
CW 404-45OV	10" (254)
CW 412-45OV	10" (254)
CW 606-45OV	12" (305)
CW 612-45OV	12" (305)



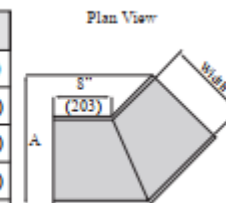
45° Vertical Outside Bend 12" Radius

Part No.	A	L
CW 250-45OV-12	9 ¹ / ₁₆ " (252)	21 ¹ / ₁₆ " (543)
CW 404-45OV-12	12" (305)	23 ¹ / ₁₆ " (595)
CW 412-45OV-12	12" (305)	23 ¹ / ₁₆ " (595)
CW 606-45OV-12	14" (356)	25" (635)
CW 612-45OV-12	14" (356)	25" (635)



45° Horizontal Direct Bend

Part No.	A
CW 250-45H	8 ¹ / ₁₆ " (205)
CW 404-45H	10 ¹ / ₁₆ " (267)
CW 412-45H	18 ¹ / ₁₆ " (473)
CW 606-45H	12 ¹ / ₁₆ " (321)
CW 612-45H	18 ¹ / ₁₆ " (473)



PT. ECO MULTI SINERGI
ALDEOZ BUILDING LT. 6

Jl. Warung Jati barat No. 39 RT 10 RW 04 Kalibata, Pancoran, Jakarta Selatan 12740

Phone: 021 2753 4458 / Fax 021 2753 4459



FIRE RETARDANT



LIGHT WIGHT



EASY
INSTALATIONS



CORROSION
RESISTANT



HIGH
STRENGTH

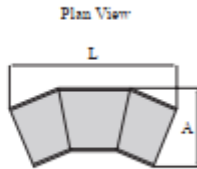


NON
CONDUCTIVE

Wireway Tray-Ladder Cable Tray

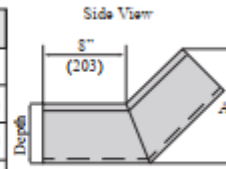
45° Horizontal Bend 12" Radius

Part No.	A	L
CW 250-45H-12	5 $\frac{1}{8}$ " (141)	25 $\frac{1}{8}$ " (657)
CW 404-45H-12	8 $\frac{1}{8}$ " (205)	28 $\frac{1}{8}$ " (721)
CW 412-45H-12	16 $\frac{1}{8}$ " (411)	34 $\frac{1}{8}$ " (878)
CW 606-45H-12	10 $\frac{1}{8}$ " (259)	30" (762)
CW 612-45H-12	16 $\frac{1}{8}$ " (411)	34 $\frac{1}{8}$ " (878)



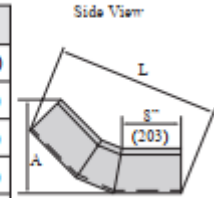
45° Vertical Inside Direct Bend

Part No.	A
CW 250-45IV	8 $\frac{1}{8}$ " (205)
CW 404-45IV	10 $\frac{1}{8}$ " (264)
CW 412-45IV	10 $\frac{1}{8}$ " (264)
CW 606-45IV	11 $\frac{1}{8}$ " (284)
CW 612-45IV	11 $\frac{1}{8}$ " (284)



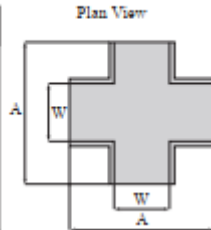
45° Vertical Inside Bend 12" Radius

Part No.	A	L
CW 250-45IV-12	10 $\frac{1}{8}$ " (257)	21 $\frac{1}{8}$ " (535)
CW 404-45IV-12	11 $\frac{1}{8}$ " (287)	21 $\frac{1}{8}$ " (552)
CW 412-45IV-12	11 $\frac{1}{8}$ " (287)	21 $\frac{1}{8}$ " (552)
CW 606-45IV-12	12 $\frac{1}{8}$ " (324)	21 $\frac{1}{8}$ " (552)
CW 612-45IV-12	12 $\frac{1}{8}$ " (324)	21 $\frac{1}{8}$ " (552)



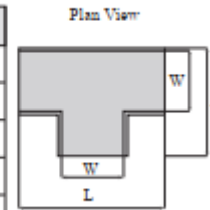
Horizontal Cross Direct

Part No.	A
CW 250-HC	18 $\frac{1}{2}$ " (470)
CW 404-HC	20 $\frac{1}{2}$ " (524)
CW 412-HC	28 $\frac{1}{2}$ " (730)
CW 606-HC	22 $\frac{1}{2}$ " (578)
CW 612-HC	28 $\frac{1}{2}$ " (730)



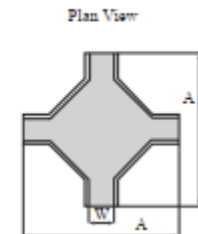
Horizontal Tee Direct

Part No.	A	L
CW 250-HT	10 $\frac{1}{2}$ " (267)	18 $\frac{1}{2}$ " (470)
CW 404-HT	13" (330)	20 $\frac{1}{2}$ " (524)
CW 412-HT	21" (533)	28 $\frac{1}{2}$ " (730)
CW 606-HT	15" (381)	22 $\frac{1}{2}$ " (578)
CW 612-HT	21" (533)	28 $\frac{1}{2}$ " (730)



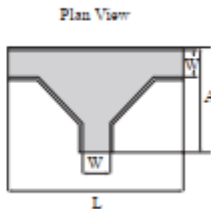
Horizontal Cross 12" Radius

Part No.	A
CW 250-HC-12	42 $\frac{1}{4}$ " (1073)
CW 404-HC-12	44 $\frac{1}{4}$ " (1133)
CW 412-HC-12	52 $\frac{1}{4}$ " (1140)
CW 606-HC-12	46 $\frac{1}{4}$ " (1187)
CW 612-HC-12	52 $\frac{1}{4}$ " (1140)



Horizontal Tee 12" Radius

Part No.	A	L
CW 250-HT-12	22 $\frac{1}{2}$ " (572)	42 $\frac{1}{4}$ " (1073)
CW 404-HT-12	24 $\frac{1}{8}$ " (630)	44 $\frac{1}{4}$ " (1133)
CW 412-HT-12	32 $\frac{1}{8}$ " (837)	52 $\frac{1}{4}$ " (1340)
CW 606-HT-12	26 $\frac{1}{8}$ " (684)	46 $\frac{1}{4}$ " (1187)
CW 612-HT-12	32 $\frac{1}{8}$ " (837)	52 $\frac{1}{4}$ " (1340)



PT. ECO MULTI SINERGI
ALDEOZ BUILDING LT. 6

Jl. Warung Jati barat No. 39 RT 10 RW 04 Kalibata, Pancoran, Jakarta Selatan 12740

Phone: 021 2753 4458 / Fax 021 2753 4459



FIRE RETARDANT



LIGHT WIGHT



EASY
INSTALATIONS



CORROSION
RESISTANT



HIGH
STRENGTH



NON
CONDUCTIVE